

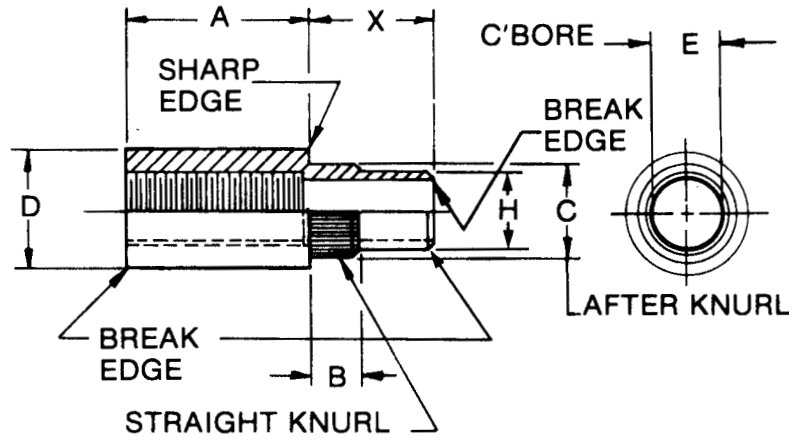
6MM ROUND ANTI-ROTATION STANDOFFS

Dimensions and Tolerances	
Thread Size	M3.0 x 0.5
E	3.3MM ± .05
C	4.5MM + .10 - .05
D	6.0MM ± .13
*X	2.2MM ± .08
H	4.2MM +.000 - .10

SWAGE TOOLING
Punch PSP 062-4

ANVIL	BODY LENGTH
PSA 110-1	3-5MM
2	6-11MM
3	13-16MM
4	19-25MM

M3 x 0.5 THREAD



*Special application for 1.6 thick board/Press-fit & Stake.

A	X	B	T	BRASS (B)	STEEL (S)
LGTH (MM) ±.1	Shank ±.1	Knurl ±.1	Board Thick.	Thread M3 x 0.5	Thread M3 x 0.5
3	1.9	0.8	0.8	21001A-B-0350	21001A-S-0350
3	2.7	1.5	1.6	21001B-B-0350	21001B-S-0350
3	3.4	1.5	2.4	21001C-B-0350	21001C-S-0350
3	4.2	1.5	3.2	21001D-B-0350	21001D-S-0350
*3	2.2	1.5	1.6	21102B-B-0350	21102B-S-0350
5	1.9	0.8	0.8	21003A-B-0350	21003A-S-0350
5	2.7	1.5	1.6	21003B-B-0350	21003B-S-0350
5	3.4	1.5	2.4	21003C-B-0350	21003C-S-0350
5	4.2	1.5	3.2	21003D-B-0350	21003D-S-0350
*5	2.2	1.5	1.6	21104B-B-0350	21104B-S-0350
6	1.9	0.8	0.8	21004A-B-0350	21004A-S-0350
6	2.7	1.5	1.6	21004B-B-0350	21004B-S-0350
6	3.4	1.5	2.4	21004C-B-0350	21004C-S-0350
6	4.2	1.5	3.2	21004D-B-0350	21004D-S-0350
*6	2.2	1.5	1.6	21105B-B-0350	21105B-S-0350
8	1.9	0.8	0.8	21006A-B-0350	21006A-S-0350
8	2.7	1.5	1.6	21006B-B-0350	21006B-S-0350
8	3.4	1.5	2.4	21006C-B-0350	21006C-S-0350
8	4.2	1.5	3.2	21006D-B-0350	21006D-S-0350
*8	2.2	1.5	1.6	21107B-B-0350	21107B-S-0350
10	1.9	0.8	0.8	21008A-B-0350	21008A-S-0350
10	2.7	1.5	1.6	21008B-B-0350	21008B-S-0350
10	3.4	1.5	2.4	21008C-B-0350	21008C-S-0350
10	4.2	1.5	3.2	21008D-B-0350	21008D-S-0350
*10	2.2	1.5	1.6	21109B-B-0350	21109B-S-0350
11	1.9	0.8	0.8	21009A-B-0350	21009A-S-0350
11	2.7	1.5	1.6	21009B-B-0350	21009B-S-0350
11	3.4	1.5	2.4	21009C-B-0350	21009C-S-0350
11	4.2	1.5	3.2	21009D-B-0350	21009D-S-0350
*11	2.2	1.5	1.6	21110B-B-0350	21110B-S-0350

A	X	B	T	BRASS (B)	STEEL (S)
LGTH (MM) ±.1	Shank ±.1	Knurl ±.1	Board Thick.	Thread M3 x 0.5	Thread M3 x 0.5
13	1.9	0.8	0.8	21011A-B-0350	21011A-S-0350
13	2.7	1.5	1.6	21011B-B-0350	21011B-S-0350
13	3.4	1.5	2.4	21011C-B-0350	21011C-S-0350
13	4.2	1.5	3.2	21011D-B-0350	21011D-S-0350
*13	2.2	1.5	1.6	21112B-B-0350	21112B-S-0350
14	1.9	0.8	0.8	21012A-B-0350	21012A-S-0350
14	2.7	1.5	1.6	21012B-B-0350	21012B-S-0350
14	3.4	1.5	2.4	21012C-B-0350	21012C-S-0350
14	4.2	1.5	3.2	21012D-B-0350	21012D-S-0350
*14	2.2	1.5	1.6	21113B-B-0350	21113B-S-0350
16	1.9	0.8	0.8	21014A-B-0350	21014A-S-0350
16	2.7	1.5	1.6	21014B-B-0350	21014B-S-0350
16	3.4	1.5	2.4	21014C-B-0350	21014C-S-0350
16	4.2	1.5	3.2	21014D-B-0350	21014D-S-0350
*16	2.2	1.5	1.6	21115B-B-0350	21115B-S-0350
19	1.9	0.8	0.8	21017A-B-0350	21017A-S-0350
19	2.7	1.5	1.6	21017B-B-0350	21017B-S-0350
19	3.4	1.5	2.4	21017C-B-0350	21017C-S-0350
19	4.2	1.5	3.2	21017D-B-0350	21017D-S-0350
*19	2.2	1.5	1.6	21118B-B-0350	21118B-S-0350
22	1.9	0.8	0.8	21020A-B-0350	21020A-S-0350
22	2.7	1.5	1.6	21020B-B-0350	21020B-S-0350
22	3.4	1.5	2.4	21020C-B-0350	21020C-S-0350
22	4.2	1.5	3.2	21020D-B-0350	21020D-S-0350
*22	2.2	1.5	1.6	21121B-B-0350	21121B-S-0350
25	1.9	0.8	0.8	21023A-B-0350	21023A-S-0350
25	2.7	1.5	1.6	21023B-B-0350	21023B-S-0350
25	3.4	1.5	2.4	21023C-B-0350	21023C-S-0350
25	4.2	1.5	3.2	21023D-B-0350	21023D-S-0350
*25	2.2	1.5	1.6	21124B-B-0350	21124B-S-0350

5 Pasco Hill Road • Cromwell, CT 06416-1093
 Phone: 860-828-0847 • Call Toll Free: 800-243-6032 • Fax: 860-828-0381
 Web Address: <http://www.amatom.com> • E-Mail: sales@amatom.com

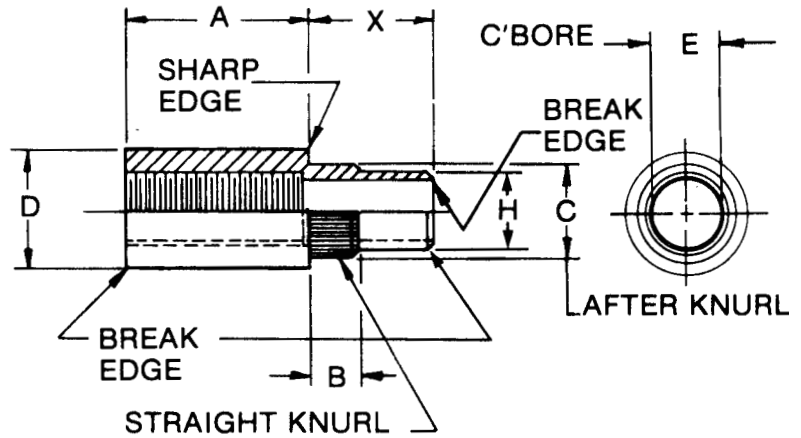
8MM ROUND ANTI-ROTATION STANDOFFS

Dimensions and Tolerances	
Thread Size	M3.5 x 0.6
E	4.5MM ± .05
C	5.7MM + .10 - .05
D	8.0MM ± .13
*X	2.2MM ± .08
H	5.4MM +.000 - .10

SWAGE TOOLING
Punch PSP 062-6

ANVIL	BODY LENGTH
PSA 202-1	3-5MM
2	6-11MM
3	13-16MM
4	19-25MM

M3.5 x 0.6 THREAD



*Special application for 1.6 thick board/Press-fit & Stake.

A	X	B	T	BRASS (B)	STEEL (S)
LGTH (MM) ±.1	Shank ±.1	Knurl ±.1	Board Thick.	Thread M3.5 x 0.5	Thread M3.5 x 0.6
3	1.9	0.8	0.8	21025A-B-0356	21025A-S-0356
3	2.7	1.5	1.6	21025B-B-0356	21025B-S-0356
3	3.4	1.5	2.4	21025C-B-0356	21025C-S-0356
3	4.2	1.5	3.2	21025D-B-0356	21025D-S-0356
*3	2.2	1.5	1.6	21127B-B-0356	21127B-S-0356
5	1.9	0.8	0.8	21027A-B-0356	21027A-S-0356
5	2.7	1.5	1.6	21027B-B-0356	21027B-S-0356
5	3.4	1.5	2.4	21027C-B-0356	21027C-S-0356
5	4.2	1.5	3.2	21027D-B-0356	21027D-S-0356
*5	2.2	1.5	1.6	21129B-B-0356	21129B-S-0356
6	1.9	0.8	0.8	21028A-B-0356	21028A-S-0356
6	2.7	1.5	1.6	21028B-B-0356	21028B-S-0356
6	3.4	1.5	2.4	21028C-B-0356	21028C-S-0356
6	4.2	1.5	3.2	21028D-B-0356	21028D-S-0356
*6	2.2	1.5	1.6	21130B-B-0356	21130B-S-0356
8	1.9	0.8	0.8	21030A-B-0356	21030A-S-0356
8	2.7	1.5	1.6	21030B-B-0356	21030B-S-0356
8	3.4	1.5	2.4	21030C-B-0356	21030C-S-0356
8	4.2	1.5	3.2	21030D-B-0356	21030D-S-0356
*8	2.2	1.5	1.6	21132B-B-0356	21132B-S-0356
10	1.9	0.8	0.8	21032A-B-0356	21032A-S-0356
10	2.7	1.5	1.6	21032B-B-0356	21032B-S-0356
10	3.4	1.5	2.4	21032C-B-0356	21032C-S-0356
10	4.2	1.5	3.2	21032D-B-0356	21032D-S-0356
*10	2.2	1.5	1.6	21134B-B-0356	21134B-S-0356
11	1.9	0.8	0.8	21033A-B-0356	21033A-S-0356
11	2.7	1.5	1.6	21033B-B-0356	21033B-S-0356
11	3.4	1.5	2.4	21033C-B-0356	21033C-S-0356
11	4.2	1.5	3.2	21033D-B-0356	21033D-S-0356
*11	2.2	1.5	1.6	21135B-B-0356	21135B-S-0356

A	X	B	T	BRASS (B)	STEEL (S)
LGTH (MM) ±.1	Shank ±.1	Knurl ±.1	Board Thick.	Thread M3.5 x 0.6	Thread M3.5 x 0.6
13	1.9	0.8	0.8	21035A-B-0356	21035A-S-0356
13	2.7	1.5	1.6	21035B-B-0356	21035B-S-0356
13	3.4	1.5	2.4	21035C-B-0356	21035C-S-0356
13	4.2	1.5	3.2	21035D-B-0356	21035D-S-0356
*13	2.2	1.5	1.6	21137B-B-0356	21137B-S-0356
14	1.9	0.8	0.8	21036A-B-0356	21036A-S-0356
14	2.7	1.5	1.6	21036B-B-0356	21036B-S-0356
14	3.4	1.5	2.4	21036C-B-0356	21036C-S-0356
14	4.2	1.5	3.2	21036D-B-0356	21036D-S-0356
*14	2.2	1.5	1.6	21138B-B-0356	21138B-S-0356
16	1.9	0.8	0.8	21038A-B-0356	21038A-S-0356
16	2.7	1.5	1.6	21038B-B-0356	21038B-S-0356
16	3.4	1.5	2.4	21038C-B-0356	21038C-S-0356
16	4.2	1.5	3.2	21038D-B-0356	21038D-S-0356
*16	2.2	1.5	1.6	21140B-B-0356	21140B-S-0356
19	1.9	0.8	0.8	21041A-B-0356	21041A-S-0356
19	2.7	1.5	1.6	21041B-B-0356	21041B-S-0356
19	3.4	1.5	2.4	21041C-B-0356	21041C-S-0356
19	4.2	1.5	3.2	21041D-B-0356	21041D-S-0356
*19	2.2	1.5	1.6	21143B-B-0356	21143B-S-0356
22	1.9	0.8	0.8	21044A-B-0356	21044A-S-0356
22	2.7	1.5	1.6	21044B-B-0356	21044B-S-0356
22	3.4	1.5	2.4	21044C-B-0356	21044C-S-0356
22	4.2	1.5	3.2	21044D-B-0356	21044D-S-0356
*22	2.2	1.5	1.6	21146B-B-0356	21146B-S-0356
25	1.9	0.8	0.8	21047A-B-0356	21047A-S-0356
25	2.7	1.5	1.6	21047B-B-0356	21047B-S-0356
25	3.4	1.5	2.4	21047C-B-0356	21047C-S-0356
25	4.2	1.5	3.2	21047D-B-0356	21047D-S-0356
*25	2.2	1.5	1.6	21149B-B-0356	21149B-S-0356

5 Pasco Hill Road • Cromwell, CT 06416-1093

Phone: 860-828-0847 • Call Toll Free: 800-243-6032 • Fax: 860-828-0381

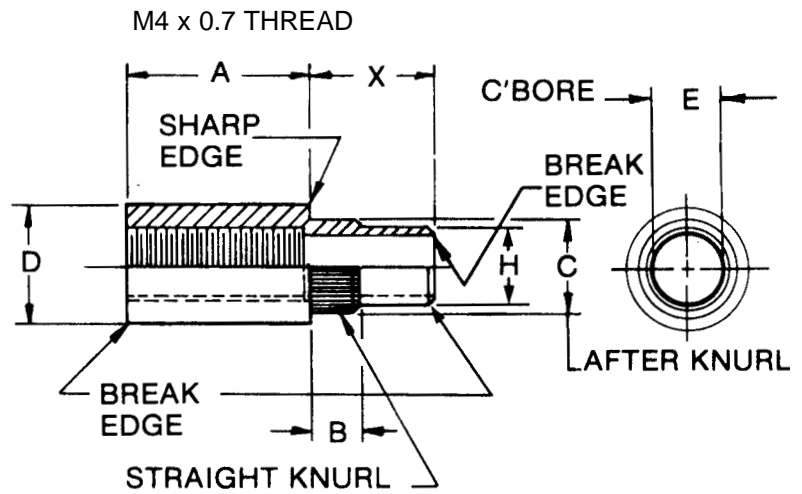
Web Address: <http://www.amatom.com> • E-Mail: sales@amatom.com

8MM ROUND ANTI-ROTATION STANDOFFS

Dimensions and Tolerances	
Thread Size	M4 x 0.7
E	5.4MM ± .05
C	6.7MM + .10 - .05
D	8.0MM ± .13
H	6.35MM +.000 - .10

SWAGE TOOLING Punch PSP 062-8

ANVIL	BODY LENGTH
PSA 202-1	3-5MM
2	6-11MM
3	13-16MM
4	19-25MM



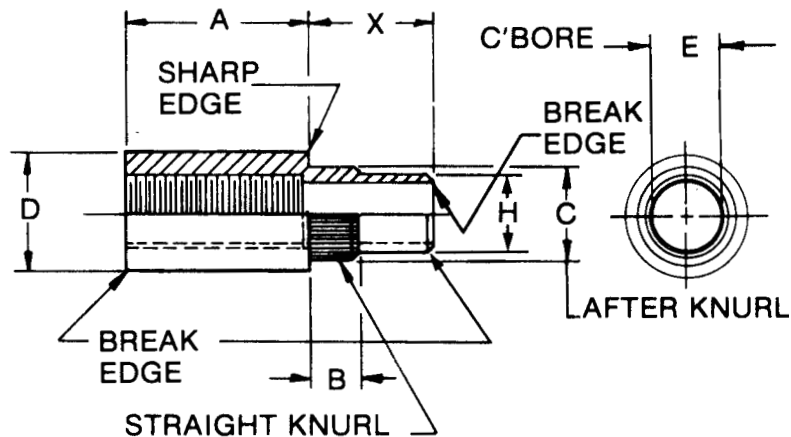
A	X	B	T	BRASS (B)	STEEL (S)
LGTH (MM) ±.1	Shank ±.1	Knurl ±.1	Board Thick.	Thread M4 x 0.7	Thread M4 x 0.7
3	1.9	0.8	0.8	21050A-B-0470	21050A-S-0470
3	2.7	1.5	1.6	21050B-B-0470	21050B-S-0470
3	3.4	1.5	2.4	21050C-B-0470	21050C-S-0470
3	4.2	1.5	3.2	21050D-B-0470	21050D-S-0470
5	1.9	0.8	0.8	21052A-B-0470	21052A-S-0470
5	2.7	1.5	1.6	21052B-B-0470	21052B-S-0470
5	3.4	1.5	2.4	21052C-B-0470	21052C-S-0470
5	4.2	1.5	3.2	21052D-B-0470	21052D-S-0470
6	1.9	0.8	0.8	21053A-B-0470	21053A-S-0470
6	2.7	1.5	1.6	21053B-B-0470	21053B-S-0470
6	3.4	1.5	2.4	21053C-B-0470	21053C-S-0470
6	4.2	1.5	3.2	21053D-B-0470	21053D-S-0470
8	1.9	0.8	0.8	21055A-B-0470	21055A-S-0470
8	2.7	1.5	1.6	21055B-B-0470	21055B-S-0470
8	3.4	1.5	2.4	21055C-B-0470	21055C-S-0470
8	4.2	1.5	3.2	21055D-B-0470	21055D-S-0470
10	1.9	0.8	0.8	21057A-B-0470	21057A-S-0470
10	2.7	1.5	1.6	21057B-B-0470	21057B-S-0470
10	3.4	1.5	2.4	21057C-B-0470	21057C-S-0470
10	4.2	1.5	3.2	21057D-B-0470	21057D-S-0470
11	1.9	0.8	0.8	21058A-B-0470	21058A-S-0470
11	2.7	1.5	1.6	21058B-B-0470	21058B-S-0470
11	3.4	1.5	2.4	21058C-B-0470	21058C-S-0470
11	4.2	1.5	3.2	21058D-B-0470	21058D-S-0470

A	X	B	T	BRASS (B)	STEEL (S)
LGTH (MM) ±.1	Shank ±.1	Knurl ±.1	Board Thick.	Thread M4 x 0.7	Thread M4 x 0.7
13	1.9	0.8	0.8	21060A-B-0470	21060A-S-0470
13	2.7	1.5	1.6	21060B-B-0470	21060B-S-0470
13	3.4	1.5	2.4	21060C-B-0470	21060C-S-0470
13	4.2	1.5	3.2	21060D-B-0470	21060D-S-0470
14	1.9	0.8	0.8	21061A-B-0470	21061A-S-0470
14	2.7	1.5	1.6	21061B-B-0470	21061B-S-0470
14	3.4	1.5	2.4	21061C-B-0470	21061C-S-0470
14	4.2	1.5	3.2	21061D-B-0470	21061D-S-0470
16	1.9	0.8	0.8	21063A-B-0470	21063A-S-0470
16	2.7	1.5	1.6	21063B-B-0470	21063B-S-0470
16	3.4	1.5	2.4	21063C-B-0470	21063C-S-0470
16	4.2	1.5	3.2	21063D-B-0470	21063D-S-0470
19	1.9	0.8	0.8	21066A-B-0470	21066A-S-0470
19	2.7	1.5	1.6	21066B-B-0470	21066B-S-0470
19	3.4	1.5	2.4	21066C-B-0470	21066C-S-0470
19	4.2	1.5	3.2	21066D-B-0470	21066D-S-0470
22	1.9	0.8	0.8	21069A-B-0470	21069A-S-0470
22	2.7	1.5	1.6	21069B-B-0470	21069B-S-0470
22	3.4	1.5	2.4	21069C-B-0470	21069C-S-0470
22	4.2	1.5	3.2	21069D-B-0470	21069D-S-0470
25	1.9	0.8	0.8	21072A-B-0470	21072A-S-0470
25	2.7	1.5	1.6	21072B-B-0470	21072B-S-0470
25	3.4	1.5	2.4	21072C-B-0470	21072C-S-0470
25	4.2	1.5	3.2	21072D-B-0470	21072D-S-0470

10MM ROUND ANTI-ROTATION STANDOFFS

Dimensions and Tolerances	
Thread Size	M5.0 x 0.8
E	6.0MM ±.05
C	7.2MM +.10 -.05
D	10.0MM ±.13
H	6.9MM +.000 -.10

M5 x 0.8 THREAD



SWAGE TOOLING Punch PSP 062-6

ANVIL	BODY LENGTH
PSA 190-1	3-5MM
2	6-11MM
3	13-16MM
4	19-25MM

A	X	B	T	BRASS (B)	STEEL (S)
LGTH (MM) ±.1	Shank ±.1	Knurl ±.1	Board Thick.	Thread M5x0.8	Thread M5x0.8
3	1.9	0.8	0.8	21075A-B-0580	21075A-S-0580
3	2.7	1.5	1.6	21075B-B-0580	21075B-S-0580
3	3.4	1.5	2.4	21075C-B-0580	21075C-S-0580
3	4.2	1.5	3.2	21075D-B-0580	21075D-S-0580
5	1.9	0.8	0.8	21077A-B-0580	21077A-S-0580
5	2.7	1.5	1.6	21077B-B-0580	21077B-S-0580
5	3.4	1.5	2.4	21077C-B-0580	21077C-S-0580
5	4.2	1.5	3.2	21077D-B-0580	21077D-S-0580
6	1.9	0.8	0.8	21078A-B-0580	21078A-S-0580
6	2.7	1.5	1.6	21078B-B-0580	21078B-S-0580
6	3.4	1.5	2.4	21078C-B-0580	21078C-S-0580
6	4.2	1.5	3.2	21078D-B-0580	21078D-S-0580
8	1.9	0.8	0.8	21080A-B-0580	21080A-S-0580
8	2.7	1.5	1.6	21080B-B-0580	21080B-S-0580
8	3.4	1.5	2.4	21080C-B-0580	21080C-S-0580
8	4.2	1.5	3.2	21080D-B-0580	21080D-S-0580
10	1.9	0.8	0.8	21082A-B-0580	21082A-S-0580
10	2.7	1.5	1.6	21082B-B-0580	21082B-S-0580
10	3.4	1.5	2.4	21082C-B-0580	21082C-S-0580
10	4.2	1.5	3.2	21082D-B-0580	21082D-S-0580
11	1.9	0.8	0.8	21083A-B-0580	21083A-S-0580
11	2.7	1.5	1.6	21083B-B-0580	21083B-S-0580
11	3.4	1.5	2.4	21083C-B-0580	21083C-S-0580
11	4.2	1.5	3.2	21083D-B-0580	21083D-S-0580

A	X	B	T	BRASS (B)	STEEL (S)
LGTH (MM) ±.1	Shank ±.1	Knurl ±.1	Board Thick.	Thread M5x0.8	Thread M5x0.8
13	1.9	0.8	0.8	21085A-B-0580	21085A-S-0580
13	2.7	1.5	1.6	21085B-B-0580	21085B-S-0580
13	3.4	1.5	2.4	21085C-B-0580	21085C-S-0580
13	4.2	1.5	3.2	21085D-B-0580	21085D-S-0580
14	1.9	0.8	0.8	21086A-B-0580	21086A-S-0580
14	2.7	1.5	1.6	21086B-B-0580	21086B-S-0580
14	3.4	1.5	2.4	21086C-B-0580	21086C-S-0580
14	4.2	1.5	3.2	21086D-B-0580	21086D-S-0580
16	1.9	0.8	0.8	21088A-B-0580	21088A-S-0580
16	2.7	1.5	1.6	21088B-B-0580	21088B-S-0580
16	3.4	1.5	2.4	21088C-B-0580	21088C-S-0580
16	4.2	1.5	3.2	21088D-B-0580	21088D-S-0580
19	1.9	0.8	0.8	21091A-B-0580	21091A-S-0580
19	2.7	1.5	1.6	21091B-B-0580	21091B-S-0580
19	3.4	1.5	2.4	21091C-B-0580	21091C-S-0580
19	4.2	1.5	3.2	21091D-B-0580	21091D-S-0580
22	1.9	0.8	0.8	21094A-B-0580	21094A-S-0580
22	2.7	1.5	1.6	21094B-B-0580	21094B-S-0580
22	3.4	1.5	2.4	21094C-B-0580	21094C-S-0580
22	4.2	1.5	3.2	21094D-B-0580	21094D-S-0580
25	1.9	0.8	0.8	21097A-B-0580	21097A-S-0580
25	2.7	1.5	1.6	21097B-B-0580	21097B-S-0580
25	3.4	1.5	2.4	21097C-B-0580	21097C-S-0580
25	4.2	1.5	3.2	21097D-B-0580	21097D-S-0580

5 Pasco Hill Road • Cromwell, CT 06416-1093
 Phone: 860-828-0847 • Call Toll Free: 800-243-6032 • Fax: 860-828-0381
 Web Address: <http://www.amatom.com> • E-Mail: sales@amatom.com