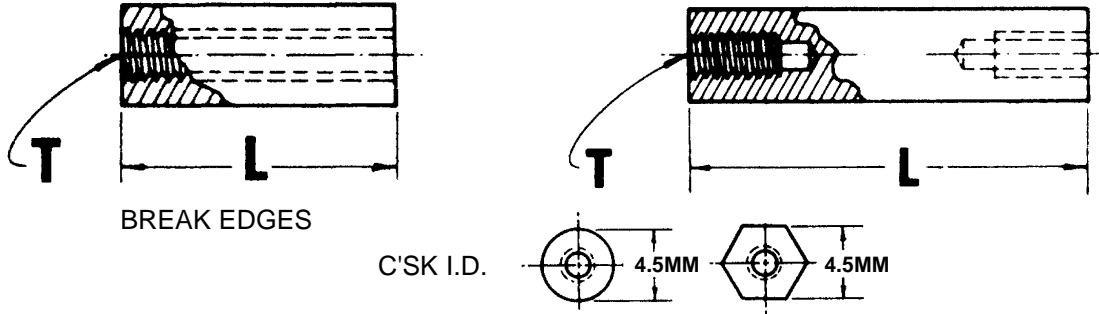


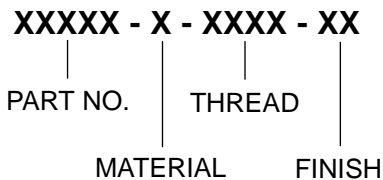
METRIC STANDOFFS 4.5MM ROUND • HEX



LENGTH (MM)	PART NO.	
	ROUND	HEX
3	19000	19050
5	19002	19052
6	19003	19053
8	19005	19055
10	19007	19057
11	19008	19058
13	19010	19060
14	19011	19061
16	19013	19063
19	19016	19066
22	19019	19069
25	19022	19072
27	19024	19074
29	19026	19076
30	19027	19077
32	19029	19079
33	19030	19080
35	19032	19082
37	19034	19084
38	19035	19085
40	19037	19087
41	19038	19088
44	19041	19091
48	19045	19095
51	19048	19098

METRIC STANDOFFS

PART NUMBER ORDERING SYSTEM



Refer to page 43 for Thread Depth or Length.
Refer to page 44 for Finish Codes.
For parts not listed contact sales office.

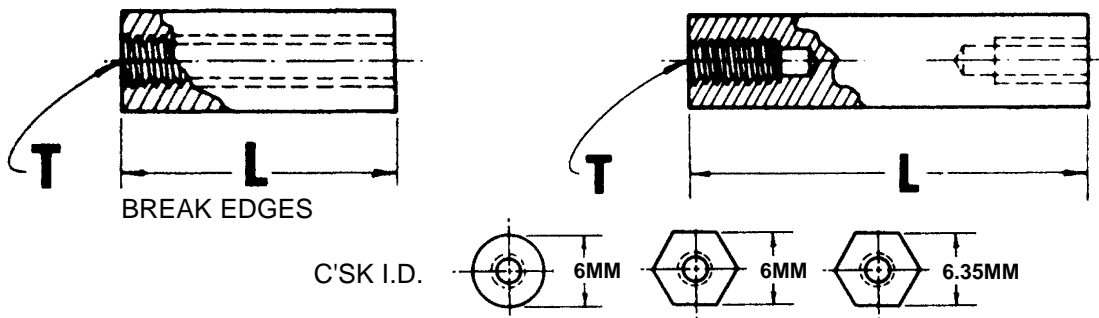
THREAD CODE

THREAD	CODE
M2.5 x 0.45	2545
M3 x 0.5	0350

MATERIAL	CODE
Aluminum	A
Brass	B
Steel	S
Stainless Steel	SS
Nylon	N

5 Pasco Hill Road • Cromwell, CT 06416-1093
Phone: 860-828-0847 • Call Toll Free: 800-243-6032 • Fax: 860-828-0381
Web Address: <http://www.amatom.com> • E-Mail: sales@amatom.com

METRIC STANDOFFS 6MM & 6.35MM ROUND • HEX



LENGTH (MM)	PART NO.		
	ROUND	6MM HEX	6.35MM HEX*
3	19100	19150	19150
5	19102	19152	19152
6	19103	19153	19153
8	19105	19155	19155
10	19107	19157	19157
11	19108	19158	19158
13	19110	19160	19160
14	19111	19161	19161
16	19113	19163	19163
19	19116	19166	19166
22	19119	19169	19169
25	19122	19172	19172
27	19124	19174	19174
29	19126	19176	19176
30	19127	19177	19177
32	19129	19179	19179
33	19130	19180	19180
35	19132	19182	19182
37	19134	19184	19184
38	19135	19185	19185
40	19137	19187	19187
41	19138	19188	19188
44	19141	19191	19191
48	19145	19195	19195
51	19148	19198	19198

*Available in Nylon Only.

Refer to page 43 for Thread Depth.
Refer to page 44 for Finish Codes.
For parts not listed contact sales office.

PART NUMBER ORDERING SYSTEM

XXXXX - X - XXXX - XX

PART NO.

THREAD

MATERIAL

FINISH

THREAD CODE

THREAD

CODE

M3 x 0.5

0350

M3.5 x 0.6

3560

M4 x 0.7

0470

M5 x 0.8

0580

MATERIAL

CODE

Aluminum

A

Brass

B

Steel

S

Stainless Steel

SS

Nylon (not available in 6MM Hex)

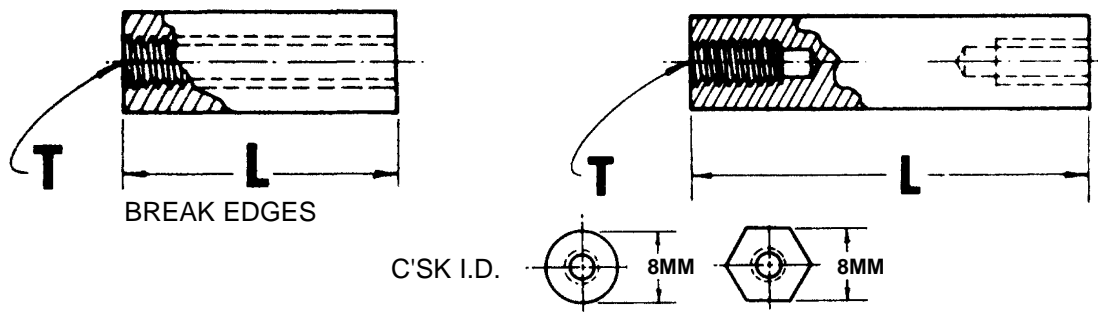
N

5 Pasco Hill Road • Cromwell, CT 06416-1093

Phone: 860-828-0847 • Call Toll Free: 800-243-6032 • Fax: 860-828-0381

Web Address: <http://www.amatom.com> • E-Mail: sales@amatom.com

METRIC STANDOFFS 8MM ROUND • HEX



LENGTH (MM)	PART NO.	
	ROUND	HEX
3	19200	19250
5	19202	19252
6	19203	19253
8	19205	19255
10	19207	19257
11	19208	19258
13	19210	19260
14	19211	19261
16	19213	19263
19	19216	19266
22	19219	19269
25	19222	19272
27	19224	19274
29	19226	19276
30	19227	19277
32	19229	19279
33	19230	19280
35	19232	19282
37	19234	19284
38	19235	19285
40	19237	19287
41	19238	19288
44	19241	19291
48	19245	19295
51	19248	19298

Refer to page 43 for Thread Depth.
Refer to page 44 for Finish Codes.
For parts not listed contact sales office.

PART NUMBER ORDERING SYSTEM

XXXXX - X - XXXX - XX

PART NO.

THREAD

MATERIAL

FINISH

THREAD CODE

THREAD

CODE

M3 x 0.5

0350

M3.5 x 0.6

3560

M4 x 0.7

0470

M5 x 0.8

0580

MATERIAL

CODE

Aluminum

A

Brass

B

Steel

S

Stainless Steel
(not available in hex)

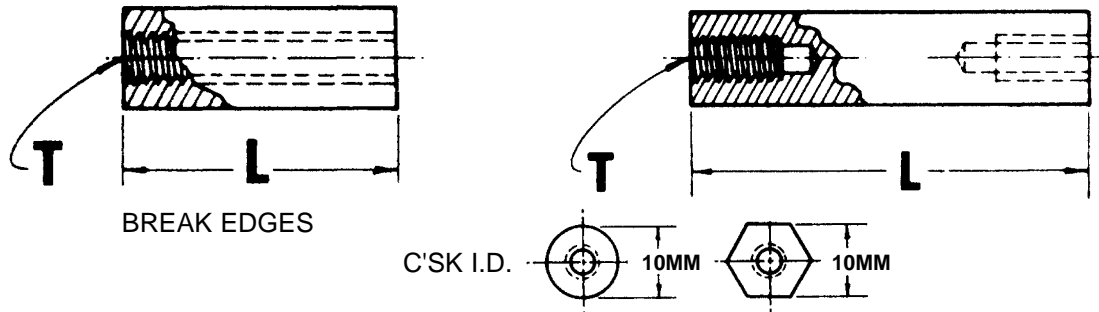
SS

Nylon

N

5 Pasco Hill Road • Cromwell, CT 06416-1093
Phone: 860-828-0847 • Call Toll Free: 800-243-6032 • Fax: 860-828-0381
Web Address: <http://www.amatom.com> • E-Mail: sales@amatom.com

METRIC STANDOFFS 10MM ROUND • HEX



LENGTH (MM)	PART NO.	
	ROUND	HEX
3	19300	19350
5	19302	19352
6	19303	19353
8	19305	19355
10	19307	19357
11	19308	19358
13	19310	19360
14	19311	19361
16	19313	19363
19	19316	19366
22	19319	19369
25	19322	19372
27	19324	19374
29	19326	19376
30	19327	19377
32	19329	19379
33	19330	19380
35	19332	19382
37	19334	19384
38	19335	19385
40	19337	19387
41	19338	19388
44	19341	19391
48	19345	19395
51	19348	19398

PART NUMBER ORDERING SYSTEM

XXXXX - X - XXXX - XX

| | |
 PART NO. THREAD
 | |
 MATERIAL FINISH

Refer to page 43 for Thread Depth.
 Refer to page 44 for Finish Codes.
 For parts not listed contact sales office.

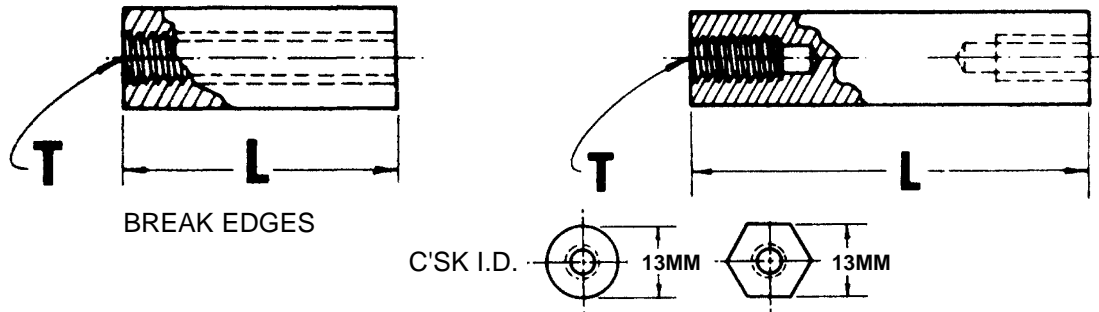
THREAD CODE

THREAD	CODE
M3.5 x 0.6	3560
M4 x 0.7	0470
M5 x 0.8	0580

MATERIAL	CODE
Aluminum	A
Brass	B
Steel	S
Stainless Steel	SS
Nylon	N

5 Pasco Hill Road • Cromwell, CT 06416-1093
 Phone: 860-828-0847 • Call Toll Free: 800-243-6032 • Fax: 860-828-0381
 Web Address: <http://www.amatom.com> • E-Mail: sales@amatom.com

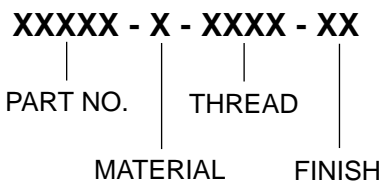
METRIC STANDOFFS 13MM ROUND • HEX



LENGTH (MM)	PART NO.	
	ROUND	HEX
3	19400	19450
5	19402	19452
6	19403	19453
8	19405	19455
10	19407	19457
11	19408	19458
13	19410	19460
14	19411	19461
16	19413	19463
19	19416	19466
22	19419	19469
25	19422	19472
27	19424	19474
29	19426	19476
30	19427	19477
32	19429	19479
33	19430	19480
35	19432	19482
37	19434	19484
38	19435	19485
40	19437	19487
41	19438	19488
44	19441	19491
48	19445	19495
51	19448	19498

METRIC STANDOFFS

PART NUMBER ORDERING SYSTEM



Refer to page 43 for Thread Depth.
Refer to page 44 for Finish Codes.
For parts not listed contact sales office.

THREAD CODE	
THREAD	CODE
M4 x 0.7	0470
M5 x 0.8	0580
M6 x 1	0610

MATERIAL	CODE
Aluminum	A
Brass	B
Steel	S
Stainless Steel	SS
Nylon	N

5 Pasco Hill Road • Cromwell, CT 06416-1093
Phone: 860-828-0847 • Call Toll Free: 800-243-6032 • Fax: 860-828-0381
Web Address: <http://www.amatom.com> • E-Mail: sales@amatom.com