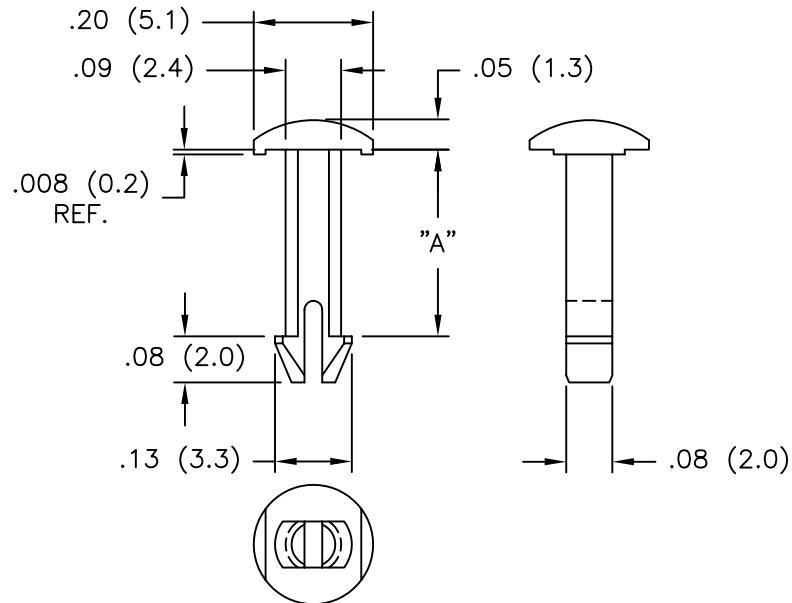
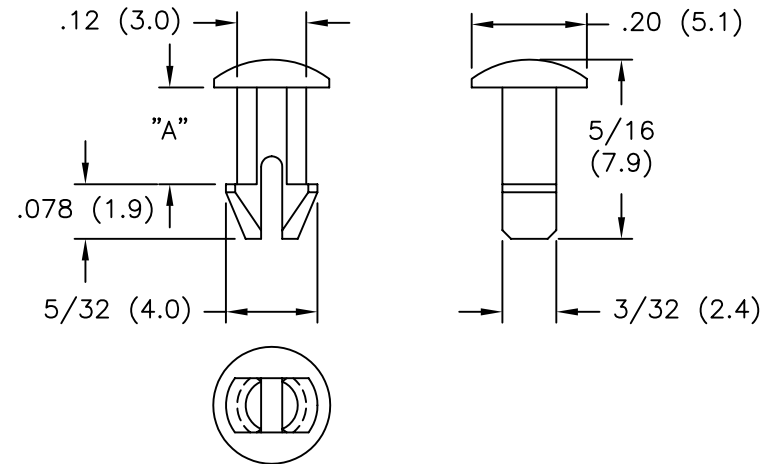


PART NO.	"A" ±.010(±0.25)	HOLE DIA. ±.002(±0.05)
SLP100-177-01	.177 (4.5)	.100 (2.5)
SLP100-307-01	.307 (7.8)	
SLP100-316-01	.316 (8.0)	
SLP100-638-01	.638 (16.2)	
SLP125-187-01	.187 (4.7)	.125 (3.2)



SLP100



SLP125-187-01

NOTES:

1. MATERIAL: NYLON 6/6 (RMS-01).
FLAME RETARDANT, NYLON (RMS-19),
AVAILABLE BY SPECIAL ORDER ONLY.
2. COLOR: NATURAL.

TITLE: SNAP-LOCK PINS			DWG IN IN (MM)		FINAL		
C	UPDATED PRINT AND CHANGED FILE NO.	SM 02.21.02	FILE # SLP	DWN: J.B.	APP:	PART # SEE CHART	PRINT TYPE CA
B	TOLERANCES ±.010 WAS ±.015, ADDED ±.002 AND DIM .187 WAS .181	J.L. 2.17.98	MAT'L: SEE NOTES	DT: 05-06-97	DT:		
A	MAT'L RMS-19 ADDED	J.L. 12.10.97	RE: RICHCO, INC.	RICHCO INC. PO BOX 804238, CHICAGO, 60680 (773) 539-4060			
REV	DESCRIPTION	ENGR DATE	TOLERANCES UNLESS NOTED .XX=±.010 .XXX=±.005 FRAC=±1/64 ANG=±1°				