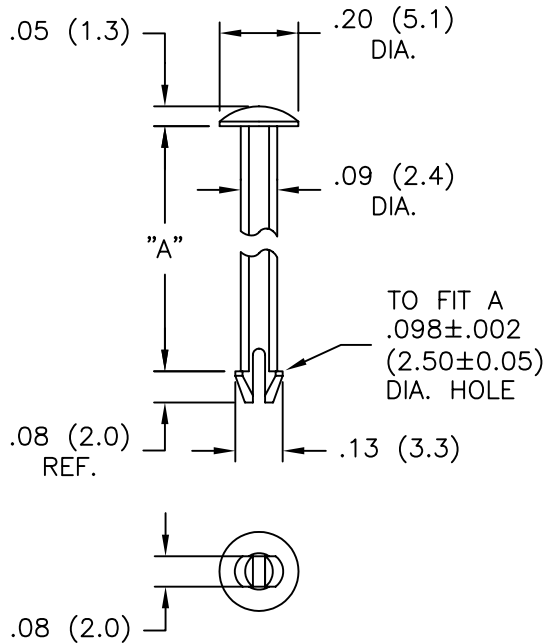
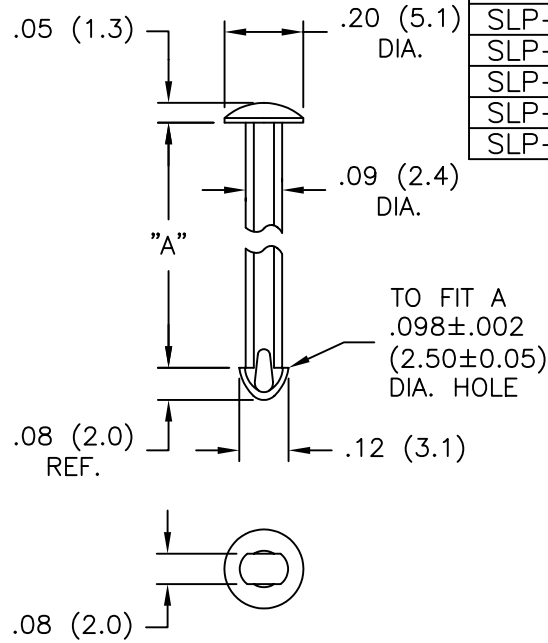


SLP-1
OPEN-ARROW BASE



SLP-2
TEAR-DROP BASE



PART NO. OPEN-ARROW BASE	PART NO. TEAR-DROP BASE	DIM."A" ±.015 (±0.4)
SLP-1-100-177-01	SLP-2-100-177-01	.177 (4.50)
SLP-1-100-221-01	SLP-2-100-221-01	.221 (5.60)
SLP-1-100-236-01	SLP-2-100-236-01	.236 (6.00)
SLP-1-100-245-01	SLP-2-100-245-01	.245 (6.22)
SLP-1-100-307-01	SLP-2-100-307-01	.307 (7.80)
SLP-1-100-316-01	SLP-2-100-316-01	.316 (8.02)
SLP-1-100-330-01	SLP-2-100-330-01	.330 (8.38)
SLP-1-100-413-01	SLP-2-100-413-01	.413 (10.50)
SLP-1-100-638-01	SLP-2-100-638-01	.638 (16.20)
SLP-1-100-660-01	SLP-2-100-660-01	.660 (16.76)
SLP-1-100-701-01	SLP-2-100-701-01	.701 (17.80)

NOTES:

1. MATERIAL: NYLON 6/6 (RMS-01).
2. COLOR: NATURAL.

A	UPDATED PRINT AND CHANGED FILE NO.	SM 05.29.01
REV	DESCRIPTION	ENGR DATE

TITLE: SNAP-LOCK PINS				⊕	▭	DWG IN IN(mm)	QR
TOLERANCES UNLESS NOTED .XX=±.010 .XXX=±.005 FRAC=±1/64 ANG=±1°	FILE # SLP-1	DWN: J.B.	APP:	FINAL			
	MAT'L: SEE NOTES	DT: 05-06-97	DT:	PART #		PRINT TYPE	
	RE: RICHCO, INC.	RICHCO INC. PO BOX 804238, CHICAGO, 60680 (773) 539-4060		SEE CHART		CA	