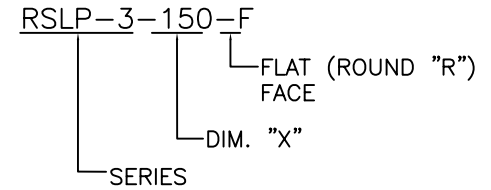
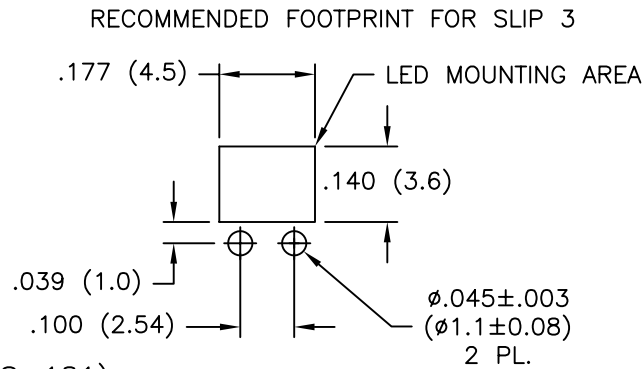
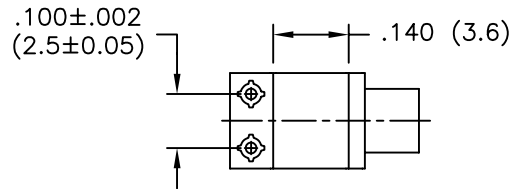


| PART NO. | PART NO. | "X" |
|--------------|--------------|-------------|
| RSLP-3-150-F | RSLP-3-150-R | .150 (3.8) |
| RSLP-3-200-F | RSLP-3-200-R | .200 (5.0) |
| RSLP-3-250-F | RSLP-3-250-R | .250 (6.4) |
| RSLP-3-300-F | RSLP-3-300-R | .300 (7.6) |
| RSLP-3-350-F | RSLP-3-350-R | .350 (8.9) |
| RSLP-3-400-F | RSLP-3-400-R | .400 (10.2) |
| RSLP-3-450-F | RSLP-3-450-R | .450 (11.4) |
| RSLP-3-500-F | RSLP-3-500-R | .500 (12.7) |
| RSLP-3-550-F | RSLP-3-550-R | .550 (13.9) |
| RSLP-3-600-F | RSLP-3-600-R | .600 (15.2) |
| RSLP-3-650-F | RSLP-3-650-R | .650 (16.5) |
| RSLP-3-700-F | RSLP-3-700-R | .700 (17.8) |



- NOTES:
 1. MATERIAL: POLYCARBONATE UL94-V0 (RMS-181).
 2. COLOR: CLEAR.

| | | | | | | | | |
|---|--|------------------|--------------|-------------------------------|--|-----------|----------------|------------|
| TITLE: 90° LIGHT PIPE FOR SURFACE MOUNT | | | | | | | DWG IN IN (MM) | |
| TOLERANCES UNLESS NOTED .XXX=±.010 (X.XX=±0.25) | | FILE # RSLP-3 | DWN: SM | APP: | | FINAL | | |
| MAT'L: SEE NOTES | | RE: RICHCO, INC. | DT: 01/23/02 | DT: | | PART # | | PRINT TYPE |
| A REDRAWN FROM RICHCO UK PRINT | | RICHCO INC. | | PO BOX 804238, CHICAGO, 60680 | | SEE TABLE | | CA |
| REV DESCRIPTION | | RICHCO INC. | | (773) 539-4060 | | | | |

| | | |
|-----|---|-------------|
| C | SEE ECN #896 FOR CHANGES | SM 12.16.04 |
| B | TYPOGRAPHICAL ERROR IN TITLE AND MAT'L NOTE | SM 02.04.02 |
| A | REDRAWN FROM RICHCO UK PRINT | SM 01.23.02 |
| REV | DESCRIPTION | ENGR DATE |