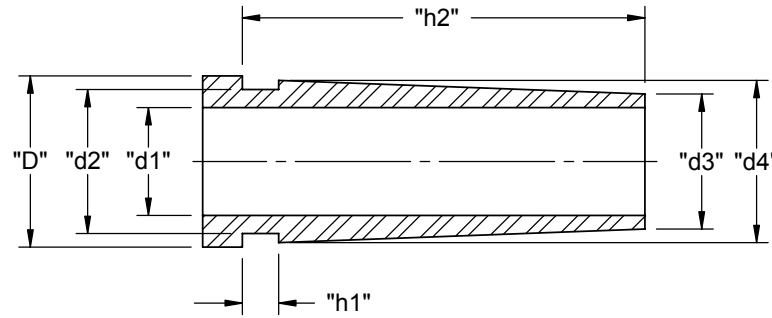
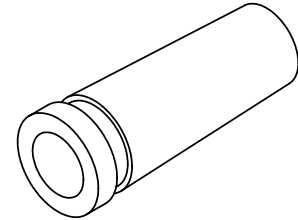


PART NO.	"d2"	"h1"	"d1" NOMINAL DIA.	"h2"	"D"	"d3"	"d4"
RGS2-12462	.500 (12.7)	.126 (3.2)	.374 (9.5)	1.398 (35.5)	.594 (15.1)	.469 (11.9)	.563 (14.3)
RGS2-51409		.031 (0.8)	.344 (8.7)	1.055 (26.8)	.752 (19.1)	.480 (12.2)	.594 (15.1)



NOTES:
 1. MATERIAL: PVC (RMS-25)
 2. COLOR: BLACK

TITLE: RICHCO GROMMET SLEEVE - TYPE 2					DWG IN IN [MM]	
CREATED USING SOLIDWORKS	FILE #: RGS2	DWN: S.J.	APP:	FINAL		
TOLERANCES UNLESS NOTED .XX=±.020 .XXX=±.015 FRAC.=±1/32 ANG.=±1°	SHEET: 1 OF 1	SHEET SIZE: A	DT: 07.15.02	CHKD:	PART #	PRINT TYPE
RE: RICHCO, INC.	RICHCO, INC. ENG@RICHCO-INC.COM (773) 539-4060		SEE TABLE	CA		
REV.	DESCRIPTION	ENGR.	DATE			

C	SEE ECN #1148 FOR CHANGES	SJ	03.29.06
B	SEE ECN #606 FOR CHANGES	SM	03.31.03
A	SEE ECN #541 FOR CHANGES	SM	12.12.02
REV.	DESCRIPTION	ENGR.	DATE