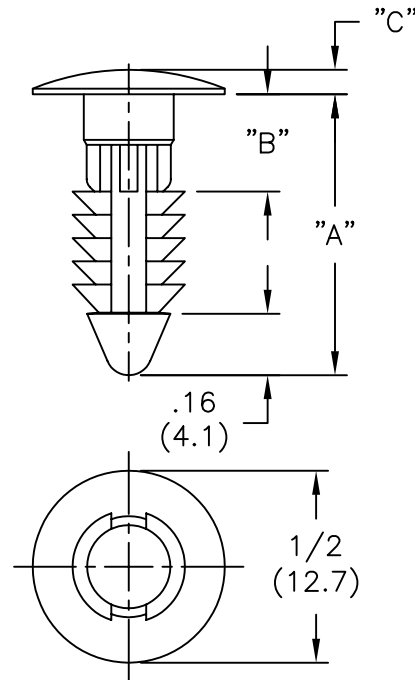


PART NO.	"A"	"B"	"C"
PL-250-10-01	5/8 (15.9)	1/8 (3.2)	.08 (2.0)
PL-250-12-01	3/4 (19.1)	1/4 (6.4)	.07 (1.8)



NOTES:

- MAT'L: NYLON 6/6 (RMS-01).
COLOR: NATURAL.
- TO PRESS-FIT AND LOCK IN A
.250 (6.35) DIA. HOLE

B	UPDATED PRINT AND CHANGED FILE NO.	SM 03.04.02
A	CONVERTED TO ACAD	PB 07.11.94
REV	DESCRIPTION	ENGR DATE

TITLE: PAWL-LOK, SERIES				DWG IN IN (MM)	FINAL	PRINT TYPE
TOLERANCES UNLESS NOTED .XX=±.010 .XXX=±.005 FRAC=±1/64 ANG=±1'	FILE # PL	DWN: P.B.	APP:	PART #		CA
MAT'L: SEE NOTES	RE: RICHCO, INC.	DT: 07/11/94	DT:	SEE TABLE		
		RICHCO INC. PO BOX 804238, CHICAGO, 60680 (773) 539-4060				