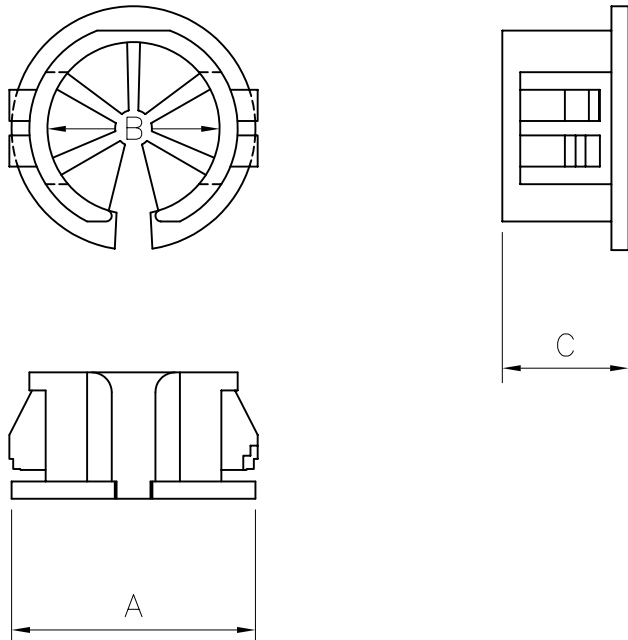



PART NO.	PANEL THKNS. RANGE	HOLE DIAMETER	A	MAX HOLDING BUNDLE DIA. B	C	STANDARD PACKAGE
PGSC-1319A	0.8-3.0	19.0-19.1	21.8	12.7	9.9	500
PGSC-1422A	0.8-3.0	22.2-22.4	23.8	14.3	11.5	
PGSC-1926A	0.8-3.0	25.4-25.5	27.0	19.0	11.5	200
PGSC-2128A	0.8-3.0	27.8-28.0	29.5	20.7	11.5	

ISSUE No	REVISION	DATE	CHKD
A	NEW DWG	130301	KD
B	SCN02-047	230502	PTG



NOTES:

- SEE TABLE FOR STANDARD PACK QUANTITY
- ALL DIMENSIONS IN mm

<small>INFORMATION CONTAINED IN THIS DOCUMENT IS CONFIDENTIAL TO RICHCO INTERNATIONAL COMPANY AND MAY NOT BE DISCLOSED OR REPRODUCED IN WHOLE OR PART WITHOUT THEIR WRITTEN CONSENT</small>		DRN	MATERIAL: NYLON 6/6 (RMS-01)	
PART DESIGNED IN METRIC / IMPERIAL		KD	COLOUR - BLACK	
TOLERANCES -UNLESS OTHERWISE STATED		CHKD	TITLE SNAP BUSHING	
1 PLACE ±		PG	DESCRIPTION	
2 PLACE ± 0.25		APPD	PGSC-XXXXA	SIZE
ANGLES ± --°		PTG		A4
		SCALE		DRG No
		NTS	999-0092	1 of 1
				DATE
				130301