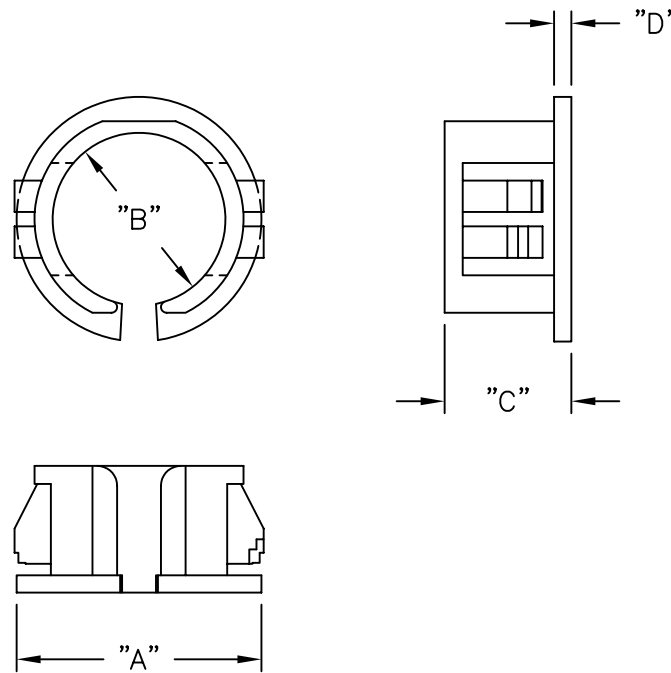


PART NO.	PANEL THKNS. RANGE	HOLE DIAMETER	"A"	MAX HOLDING BUNDLE DIA. "B"	"C"	"D"	PACKAGE
PGSB-0609A	.028-.067 (0.7-1.7)	.374 (9.5)	.45 (11.4)	.26 (6.6)	.26 (6.5)	.051 (1.3)	1000
PGSB-1013A	.031-.138 (0.8-3.5)	.512 (13.0)	.59 (14.9)	.35 (9.0)	.41 (10.5)	.059 (1.5)	500
PGSB-1216A	.028-.130 (0.7-3.3)	.630 (16.0)	.73 (18.6)	.48 (12.3)	.39 (10.0)	.039 (1.0)	
PGSB-1316A	.047-.138 (1.2-3.5)	.630 (16.0)	.71 (18.0)	.41 (10.5)	.41 (10.5)	.063 (1.6)	200
PGSB-1519A	.047-.130 (1.2-3.3)	.748 (19.0)	.81 (20.6)	.57 (14.4)	.43 (11.0)	.051 (1.3)	
PGSB-1822A	.039-.138 (1.0-3.5)	.866 (22.0)	.98 (24.8)	.68 (17.3)	.45 (11.5)	.063 (1.6)	



NOTES:

1. MATERIAL: NYLON 66 (RMS-01).
2. COLOR: BLACK.

TITLE: SNAP BUSHINGS OPEN			DWG IN IN (MM)		FINAL			
TOLERANCES UNLESS NOTED .XX=±.010 .XXX=±.005 FRAC=±1/64 ANG=±1°			FILE # PGSB-A	DWN: P.B	APP:	PART # SEE TABLE	PRINT TYPE CA	
C CORRECTED METRIC-INCHES CONV. (ECN #641) SM 06.09.03			MAT'L: SEE NOTES	DT: 07-18-95	DT:			
B CHANGED FILE NO. AND TITLE BLOCK SM 06.29.01			RE: RICHCO, INC.	RICHCO INC. PO BOX 804238, CHICAGO, 60680 (773) 539-4060				
A ADDED "D" COLUMN JK 5.11.00								
REV DESCRIPTION ENGR DATE								