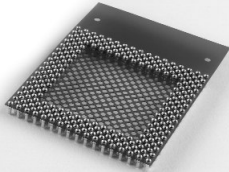
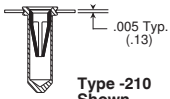

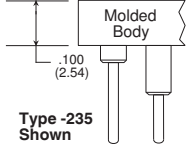


Table of Models

	<p>Description: Peel-A-Way® (KSX) Material: Polyimide Film Index: -269°C to 400°C (-452°F to 752°F)</p>	 <p>Type -210 Shown</p>
	<p>Description: Molded (RSX) Material: High Temp. Liquid Crystal Polymer (LCP) Index: -40°C to 260°C (-40°F to 500°F)</p>	 <p>Type -235 Shown</p>

RSX replaces CSX.

Features:

- Low insertion force (1 oz. average per pin)
- Screw-machined terminals with multiple finger contacts for reliability
- Closed bottom terminal for 100% anti-wicking of solder
- Tapered entry for ease of insertion
- Custom designs available

Specifications:

Terminals:

Brass - Copper Alloy
(C36000) ASTM-B-16

Contacts:

Beryllium Copper
(C17200) ASTM-B-194

Solder Preform:

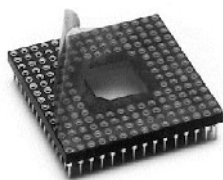
Standard: 63Sn/37Pb
Lead-free: 95.5Sn/4.0Ag/0.5Cu

Plating:

G - Gold over Nickel
M - Matte Tin over Nickel
T - Tin/Lead over Nickel

Gold per MIL-G-45204
Matte Tin per ASTM545-97
Tin/Lead per MIL-P-81728
Nickel per QQ-N-290

Options



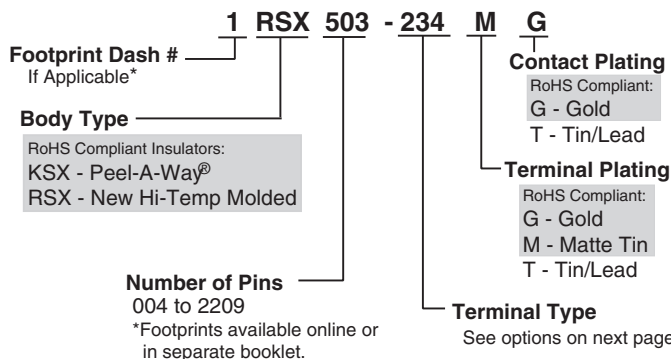
Tape Sealant - add 3M to end of part number

- Removable tape seal protects plated contact in harsh environments
- Sealed socket will not allow dirt and other contaminants to enter socket chamber and become entrapped behind contact fingers
- Spray flux without contaminating contact area

Material

Silicone Backed Polyimide Film, -74°C to 260°C (-100°F to 500°F)
Intermittent to 371°C (700°F)

How To Order

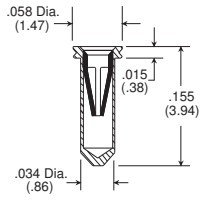
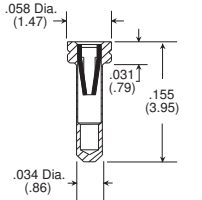
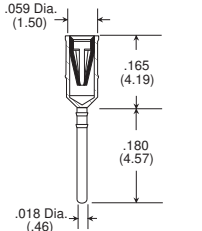
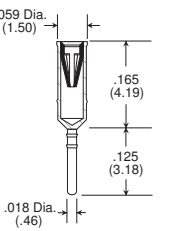


Note: Terminals plated with Matte Tin are available only with Gold plated contacts.
Quick-Turn delivery is not available on products with Matte Tin plating.

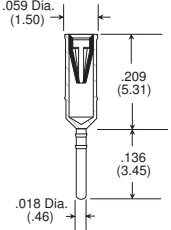
Low Insertion Force PGA Sockets .100" (2.54mm) Staggered (Interstitial) Grid

Additional standard and custom terminals available.
See Terminals section online or consult factory.

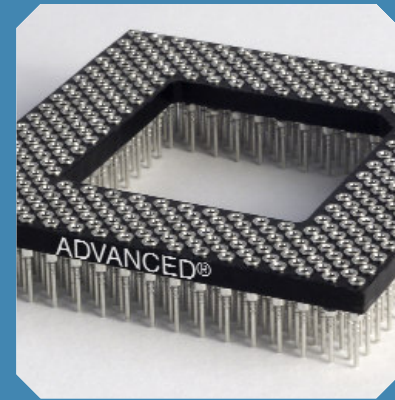
Standard Quick-Turn Terminals

Type -210 Peel-A-Way® only	Type -176 Peel-A-Way® only	Type -234 Molded only	Type -82 Molded only
			

Type -235
Molded only
4 standoffs per socket
Type -234 used in remaining positions

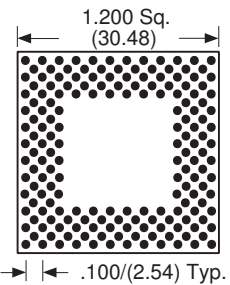


PGA Sockets



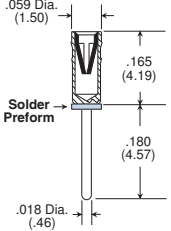
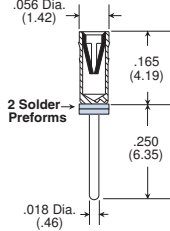
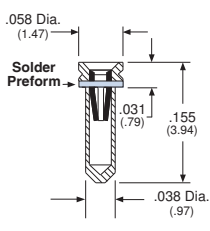
Footprints:

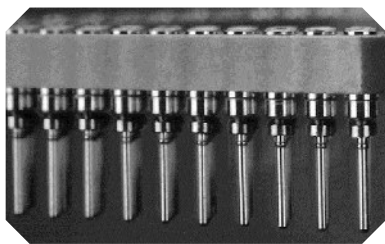
180 Pins
Footprint Number 180



23 x 23 rows

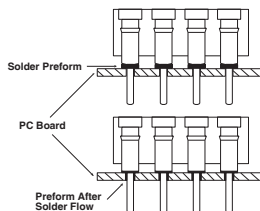
Solder Preform Terminals

Tin/Lead: Type -311 Lead-free: Type -813 Molded only	Tin/Lead: Type -313 Lead-free: Type -814 Molded only	Tin/Lead: Type -432 Lead-free: Type -815 Peel-A-Way® only
		



Intrusive Reflow Application

- Combines the labor of socket loading and solder application into one operation.
- Eliminates the use of solder paste and screening operation.
- Eliminates solder bridges and/or solder shorts due to excess solder.
- Ensures a reliable solder joint with controlled solder volume.
- Ideal for surface mount and mixed technology applications.
- For custom solder preform terminal applications consult factory.



- Full grid insulators loaded to your specific footprint
- Open centers available upon request (consult factory)
- Hundreds of footprints available online
- Use our online Build-A-Part feature or download a Footprints Booklet in PDF format

Available Online:

- Extraction Tools
- RoHS Qualification Test Report



5 Energy Way, West Warwick, RI 02893 USA
Tel: 800.424.9850 | 401.823.5200
Fax: 401.823.8723
info@advanced.com | www.advanced.com
Cat. 16 Rev. 1