

Table of Models

	<p>Description: Peel-A-Way® (KA) Material: Polyimide Film Index: -269°C to 400°C (-452°F to 752°F)</p>	
	<p>Description: Molded (RCA) Material: High Temp. Liquid Crystal Polymer (LCP) Index: -40°C to 260°C (-40°F to 500°F)</p>	

RCA replaces HCA.

Features:

- Screw-machined terminals for long-term durability
- Mating sockets available
- Custom designs available

Specifications:

Terminals:

Brass - Copper Alloy
(C36000) ASTM-B-16

Plating:

- G - Gold over Nickel
- M - Matte Tin over Nickel
- T - Tin/Lead over Nickel

Gold per MIL-G-45204
 Matte Tin per ASTM545-97
 Tin/Lead per MIL-P-81728
 Nickel per QQ-N-290

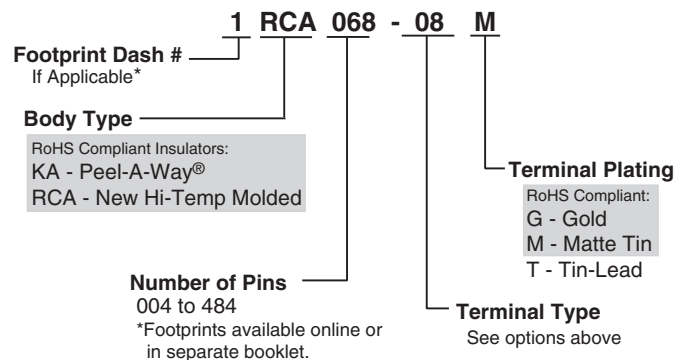
Available Online:

- Hundreds of footprints
- Extraction Tools
- RoHS Qualification Test Report

Standard Quick-Turn Terminals

Type -79 Peel-A-Way® only	Type -80 Peel-A-Way® only	Type -81 Peel-A-Way® only	Type -08
Type -68	Type -43	Type -185	Type -42

How To Order



Note: Quick-Turn delivery is not available on products with Matte Tin plating.



5 Energy Way, West Warwick, RI 02893 USA
 Tel: 800.424.9850 | 401.823.5200
 Fax: 401.823.8723
 info@advanced.com | www.advanced.com
 Cat. 16 Rev. 1

Products shown covered by patents issued and/or pending. Specifications subject to change without notice.

inch/(mm)