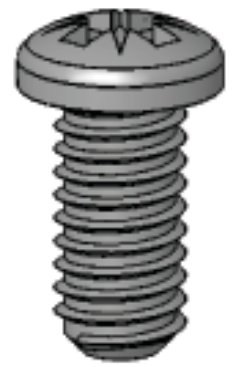
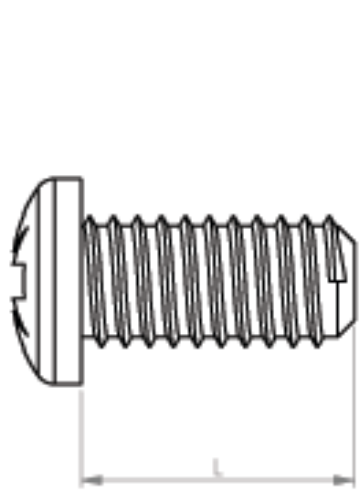


REV.	MODIFICATION.	DATE	DRN
01	NEW DRAWING	18/10/04	NJB

AVAILABLE BY SPECIAL ORDER - NAFTA REGION ONLY



NOTES:
1) ALL PRIMARY DIMENSIONS IN mm,
SECONDARY DIMENSIONS IN INCHES.

NSE-34812-M6-L	8.0 (0.315)	10.0 (0.394)	12.0 (0.473)	16.0 (0.630)	20.0 (0.788)	25.0 (0.985)	30.0 (1.182)	40.0 (1.575)	50.0 (1.969)	60.0 (2.363)
NSE-34812-M5-L	6.0 (0.236)	8.0 (0.315)	10.0 (0.394)	12.0 (0.473)	16.0 (0.630)	20.0 (0.788)	25.0 (0.985)	30.0 (1.182)	40.0 (1.575)	50.0 (1.969)
NSE-34812-M4-L	6.0 (0.236)	8.0 (0.315)	10.0 (0.394)	12.0 (0.473)	16.0 (0.630)	20.0 (0.788)	25.0 (0.985)	30.0 (1.182)	40.0 (1.575)	
NSE-34812-M3-L	4.0 (0.158)	5.0 (0.197)	6.0 (0.236)	8.0 (0.315)	10.0 (0.394)	12.0 (0.473)	16.0 (0.630)	20.0 (0.788)	25.0 (0.985)	
PART REF:	L									

INFORMATION CONTAINED IN THIS DOCUMENT IS CONFIDENTIAL TO RICHCO INTERNATIONAL Co., Ltd. AND MAY NOT BE DISCLOSED OR REPRODUCED IN WHOLE OR PART WITHOUT THEIR WRITTEN CONSENT



METRIC GENERAL TOLERANCES ± 0.25 ARE PRIMARY UNLESS OTHERWISE STATED
 1 DECIMAL PLACE \pm
 2 DECIMAL PLACES \pm
 ANGULAR $\pm 1^\circ$
 IMPERIAL GENERAL TOLERANCES ± 0.010 ARE FOR REFERENCE UNLESS OTHERWISE STATED
 1 DECIMAL PLACE \pm
 2 DECIMAL PLACES \pm
 ANGULAR $\pm 1^\circ$

MATERIAL: NYLON 6/6 (RMS-179)		COLOUR: NATURAL	
TITLE: METRIC SCREW (DIN 34812)		PART No: NSE-34812-MX-L	
DRG No: 04-118	NPR REF:		SIZE A4
DRN NJB	DATE 18/10/04	CHKD I.C	DATE 18/10/04
SCALE NTS		SHEET No 1 OF 1	