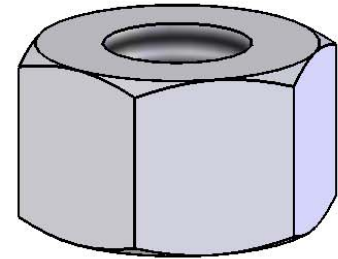
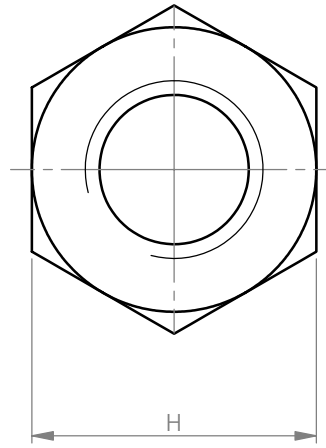
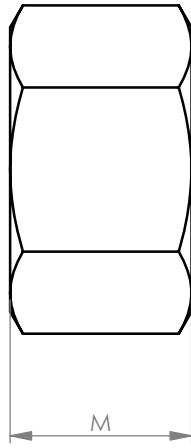


AVAILABLE BY SPECIAL ORDER ONLY

REV.	MODIFICATION.	DATE	DRN
01	NEW DRAWING	19/10/04	NJB



NOTES:
1) ALL PRIMARY DIMENSIONS IN mm,
SECONDARY DIMENSIONS IN INCHES.

NNE-34814-M6	5.0	10.0 (0.394)
NNE-34814-M5	4.2	8.0 (0.315)
NNE-34814-M4	3.2	7.0 (0.276)
NNE-34814-M3	2.4	5.5 (0.217)
NNE-34814-M2.5	2.0	5.0 (0.197)
NNE-34814-M2	1.6	4.0 (0.158)
PART REF:	M	H

INFORMATION CONTAINED IN THIS DOCUMENT IS CONFIDENTIAL TO RICHCO INTERNATIONAL Co. Ltd. AND MAY NOT BE DISCLOSED OR REPRODUCED IN WHOLE OR PART WITHOUT THEIR WRITTEN CONSENT



METRIC GENERAL TOLERANCES ± 0.25
ARE PRIMARY UNLESS OTHERWISE STATED
1 DECIMAL PLACE \pm
2 DECIMAL PLACES \pm
ANGULAR $\pm 1^\circ$

IMPERIAL GENERAL TOLERANCES ± 0.010
ARE FOR REFERENCE UNLESS OTHERWISE
1 DECIMAL PLACE \pm
2 DECIMAL PLACES \pm
ANGULAR $\pm 1^\circ$

MATERIAL: NYLON 6/6 (RMS-178)		COLOUR: NATURAL	
TITLE: HEX NUT		PART No: NNE-34814-MX	
DRG No: 04-121	NPR REF:		SIZE A4
DRN NJB	DATE 19/10/04		CHKD I.C
SCALE NTS	SHEET No 1 OF 1		