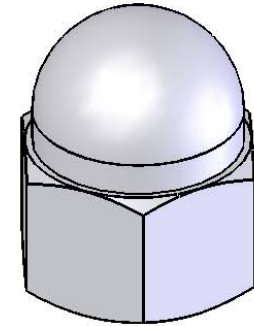
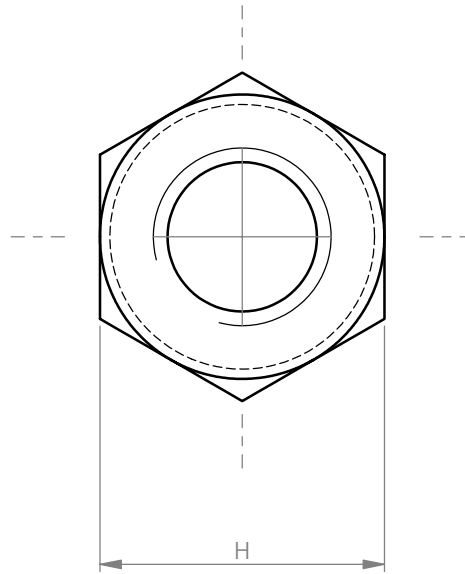
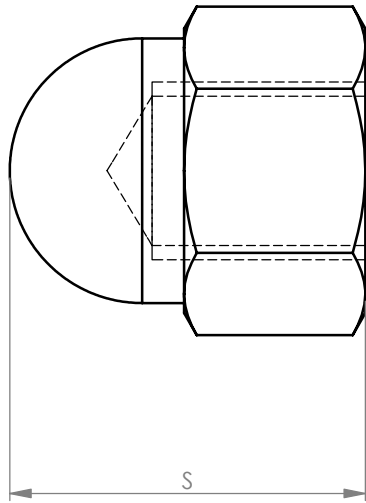


AVAILABLE BY SPECIAL ORDER ONLY

REV.	MODIFICATION.	DATE	DRN
01	NEW DRAWING	19/10/04	NJB



NOTES:
1) ALL PRIMARY DIMENSIONS IN mm,
SECONDARY DIMENSIONS IN INCHES.

INFORMATION CONTAINED IN THIS DOCUMENT IS CONFIDENTIAL TO RICHCO INTERNATIONAL Co. Ltd. AND MAY NOT BE DISCLOSED OR REPRODUCED IN WHOLE OR PART WITHOUT THEIR WRITTEN CONSENT

NNE-1587-M6	12.0 (0.473)	10.0 (0.394)
NNE-1587-M5	10.0 (0.394)	8.0 (0.315)
NNE-1587-M4	8.0 (0.315)	7.0 (0.276)
NNE-1587-M3	6.0 (0.237)	5.5 (0.217)
PART REF:	S	H



METRIC GENERAL TOLERANCES ± 0.25
ARE PRIMARY UNLESS OTHERWISE STATED
1 DECIMAL PLACE \pm
2 DECIMAL PLACES \pm
ANGULAR $\pm 1^\circ$

IMPERIAL GENERAL TOLERANCES ± 0.010
ARE FOR REFERENCE UNLESS OTHERWISE
1 DECIMAL PLACE \pm
2 DECIMAL PLACES \pm
ANGULAR $\pm 1^\circ$

MATERIAL: NYLON 6/6 (RMS-177)		COLOUR: NATURAL	
TITLE: DOMED HEX NUT		PART No: NNE-1587-MX	
DRG No: 04-120	NPR REF:		SIZE A4
DRN NJB	DATE 19/10/04		CHKD I.C
SCALE NTS	SHEET No 1 OF 1		