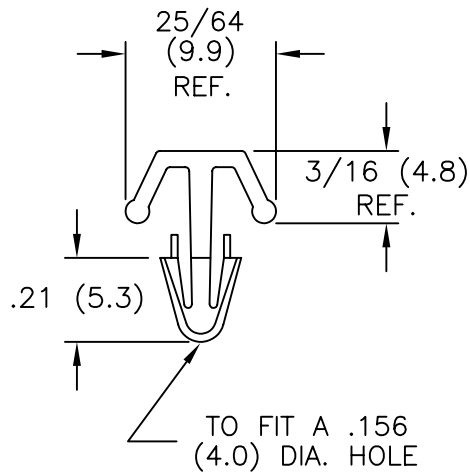
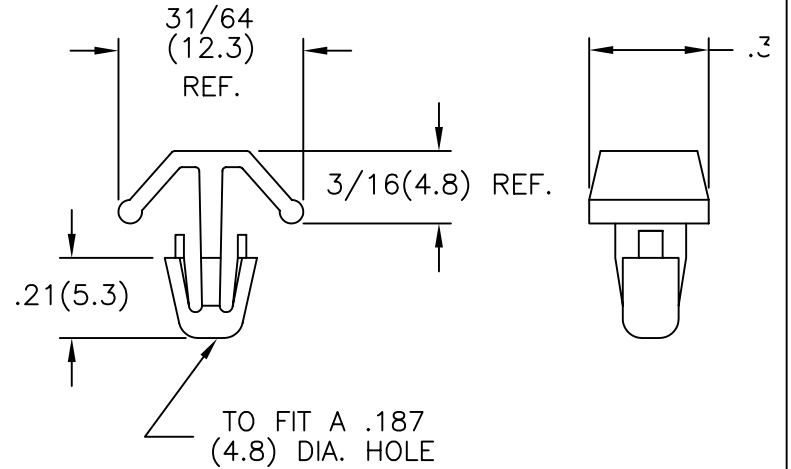
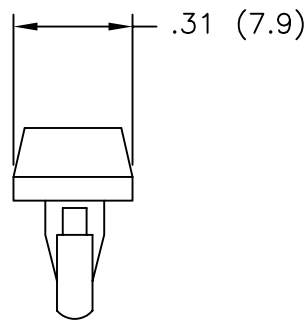


PART NUMBER		"T" RECOMMENDED
MB-1-156	MB-1-187	1/32-3/32 (0.8-2.4)
MB-3-156	MB-3-187	3/32-5/32 (2.4-4.0)
MB-5-156	MB-5-187	3/16-7/32 (4.8-5.6)
MB-7-156	MB-7-187	7/32-9/32 (5.6-7.1)
MB-9-156	MB-9-187	5/16-3/8 (7.9-9.5)
MB-11-156	MB-11-187	3/8-7/16 (9.5-11.1)
MB-13-156	MB-13-187	7/16-1/2 (11.1-12.7)
MB-15-156	MB-15-187	1/2-9/16 (12.7-14.3)
MB-17-156	MB-17-187	9/16-5/8 (14.3-15.9)



P/N MB-156



P/N MB-187

NOTES:

- MATERIAL: NYLON 6/6 (RMS-01).
FLAME RETARDANT, NYLON (RMS-19),
AVAILABLE BY SPECIAL ORDER ONLY.
- COLOR: NATURAL.

TITLE: MOUNTING BUTTON			⊕	≡	DWG IN IN (MM)	QR
TOLERANCES UNLESS NOTED .XX=±.010 .XXX=±.005 FRAC=±1/64 ANG=±1°			FILE # MB	DWN: R.S.	APP:	FINAL
C CHANGED FILE NO. AND TITLE BLOCK SM 05.17.01			MAT'L: SEE NOTES	DT: 11-10-93	DT:	PART #
B MAT'L RMS-19 ADDED. J.L. 7.9.98			RE: RICHCO, INC.	RICHCO INC. PO BOX 804238, CHICAGO, 60680 (773) 539-4060		SEE TABLE
A CHANGED CHART TO PANEL RANGE JB 08.15.96						PRINT TYPE
REV DESCRIPTION ENGR DATE						CA