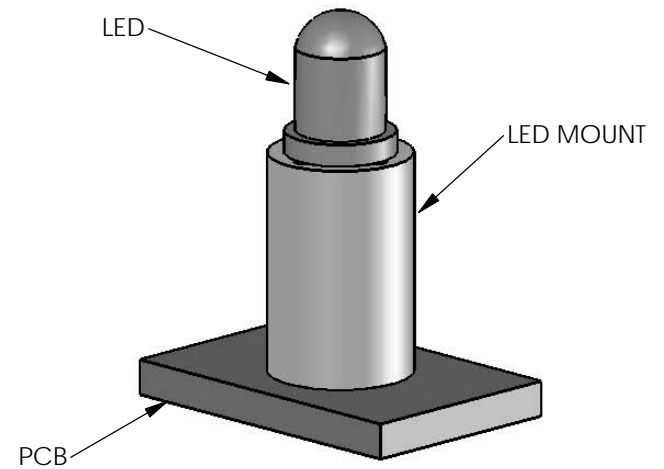
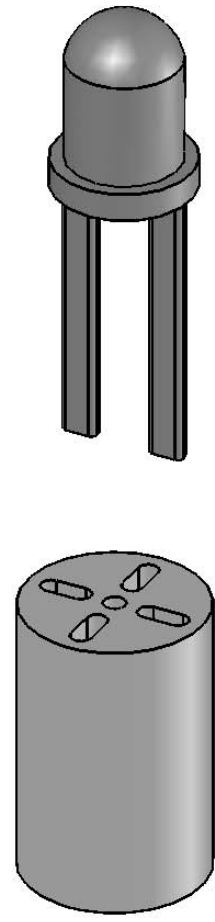
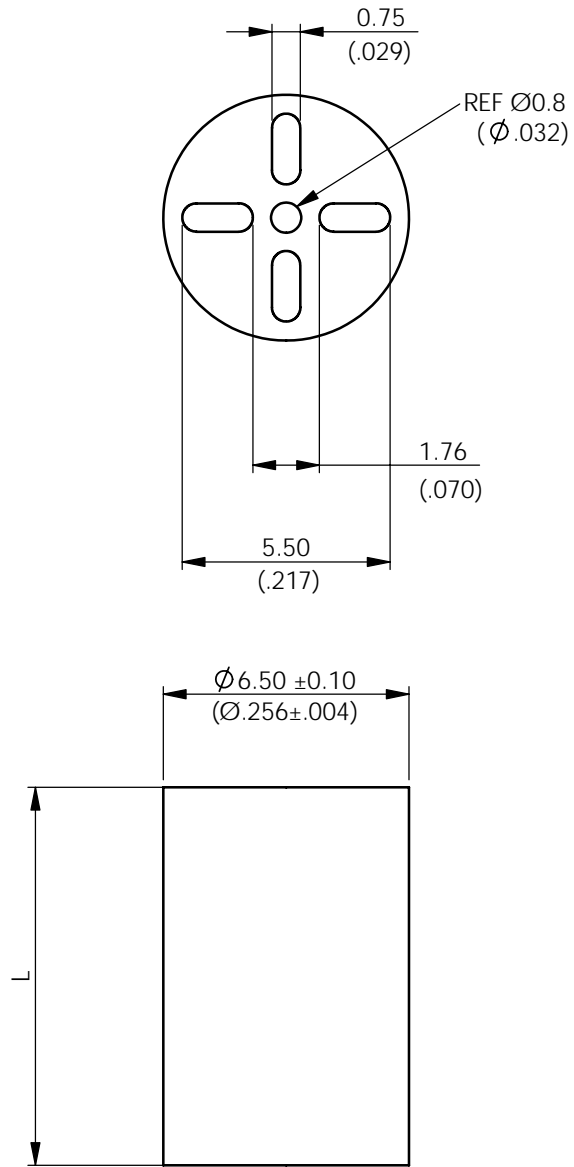


AVAILABLE BY SPECIAL ORDER ONLY

REV.	MODIFICATION.	DATE	DRN
01	NEW DWG	25/05/01	JPM
02	SCN04-093	25/05/01	OW
03	SCN04-096	25/05/01	OW
04	SCN04-100	14/10/04	OW
05	ECN05-021	26/01/05	OW



TYPICAL APPLICATION VIEW

NOTES:
 1) FOR USE WITH 5mm, T-1 3/4 LEADS.
 2) ALL PRIMARY DIMENSIONS IN mm,
 SECONDARY DIMENSIONS IN INCHES.

INFORMATION CONTAINED IN THIS DOCUMENT IS CONFIDENTIAL TO RICHCO INTERNATIONAL Co. Ltd. AND MAY NOT BE DISCLOSED OR REPRODUCED IN WHOLE OR PART WITHOUT THEIR WRITTEN CONSENT

	METRIC GENERAL TOLERANCES ± 0.25 ARE PRIMARY UNLESS OTHERWISE STATED 1 DECIMAL PLACE \pm 2 DECIMAL PLACES \pm ANGULAR $\pm 1^\circ$
	IMPERIAL GENERAL TOLERANCES ± 0.010 ARE FOR REFERENCE UNLESS OTHERWISE 1 DECIMAL PLACE \pm 2 DECIMAL PLACES \pm ANGULAR $\pm 1^\circ$

MATERIAL: PVC UL94 V-0 (RMS-176)	COLOUR: BLACK
-------------------------------------	------------------

TITLE: LED MOUNTS	PART No: LEDM-3-XX
----------------------	-----------------------

DRG No: 786-9020	NPR REF: N/A		SIZE A4
---------------------	-----------------	--	------------

PART No.	LENGTH
LEDM-3-02 - LEDM-3-30	2.0mm - 30mm

DRN OW	DATE 14/10/04	CHKD NJB	DATE 14/10/04	SCALE NTS	SHEET No 1 OF 1
-----------	------------------	-------------	------------------	--------------	--------------------