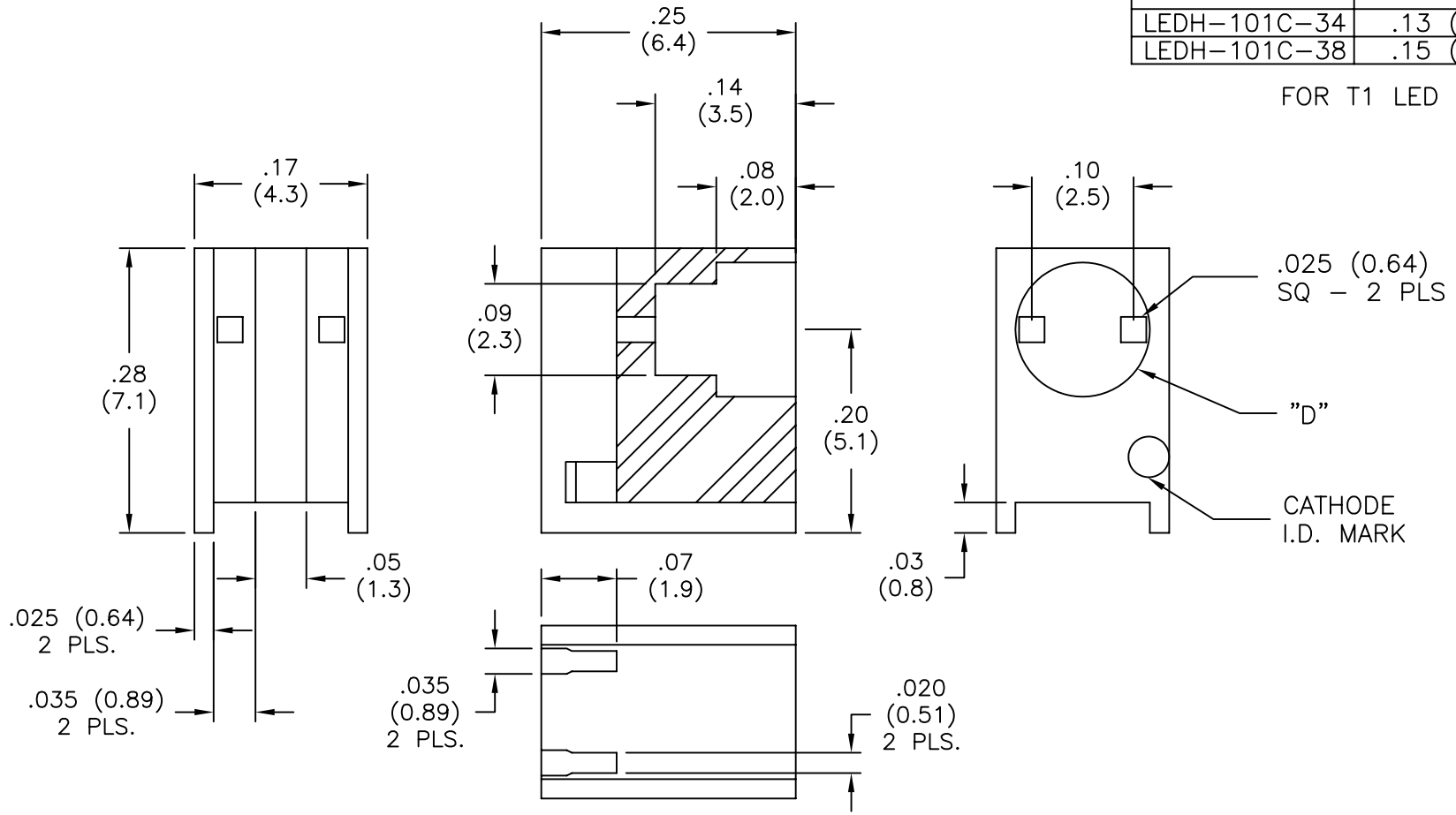


PART NO.	DIA. "D"
LEDH-101C-34	.13 (3.4)
LEDH-101C-38	.15 (3.8)

FOR T1 LED



NOTES:

1. MATERIAL: NYLON 6/6 UL 94 V-0 (RMS-43).
2. COLOR: BLACK.

TITLE: 90 DEGREE LED HOLDER			DWG IN IN (MM)		FINAL		
TOLERANCES UNLESS NOTED .XX=±.010 .XXX=±.005 FRAC=±1/64 ANG=±1°			FILE # LEDH-101C	DWN: J.B.	APP:	PART # SEE TABLE	PRINT TYPE CA
RE: RICHCO, INC.			MAT'L: SEE NOTES	DT: 12-12-96	DT:		
B	ADDED RMS-43, SEE ECN #1053	SK 09.09.05	RICHCO INC. PO BOX 804238, CHICAGO, 60680 (773) 539-4060				
A	CORRECTED .035 DIM. AND CHANGED FILE NO.	SM 08.29.01					
REV	DESCRIPTION	ENGR DATE					