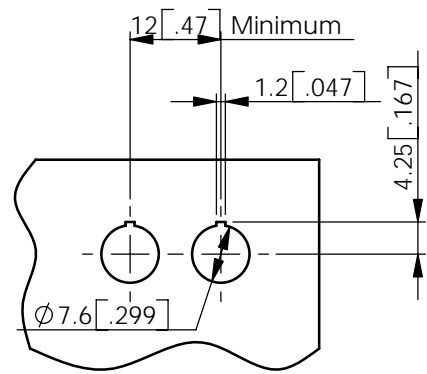
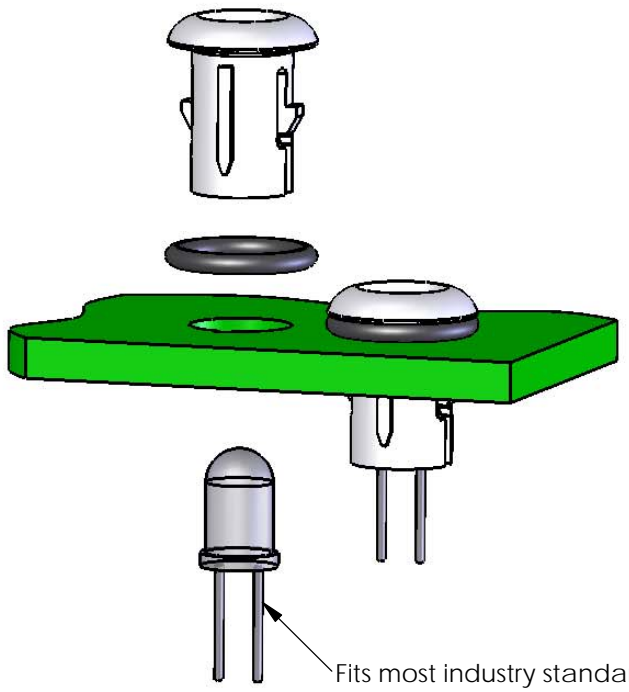
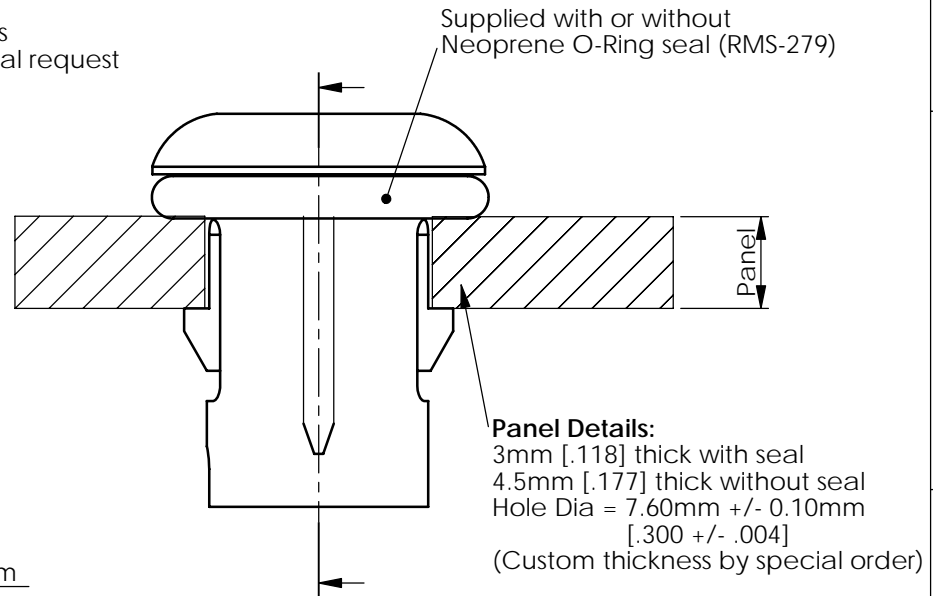
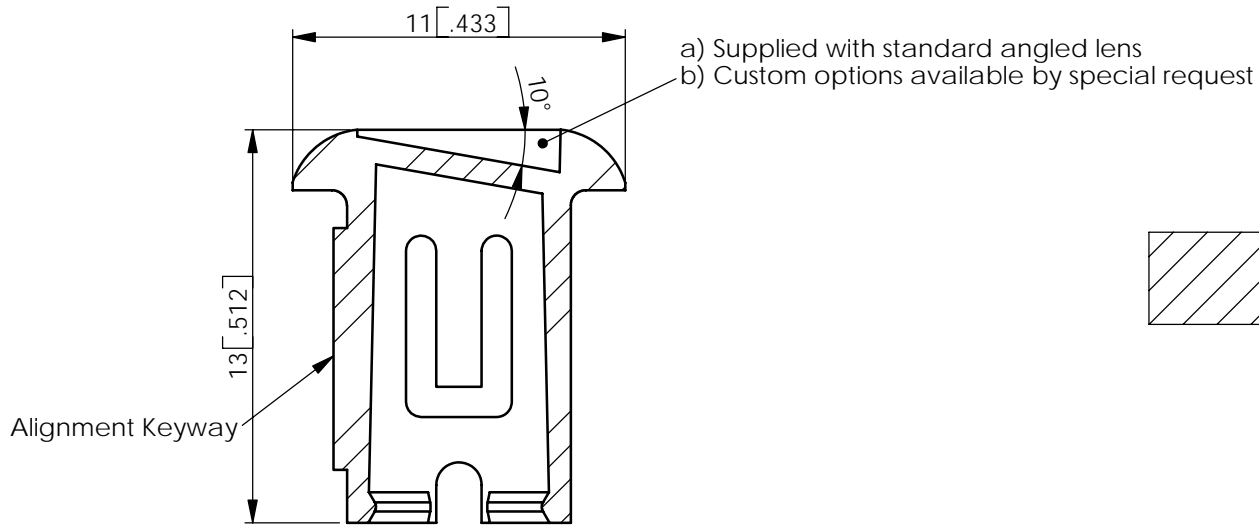


PART No	DETAILS
LEDC-1	WITHOUT O-RING SEAL
LEDC-2	ASSEMBLED WITH BLACK NEOPRENE RUBBER SEAL

REV.	MODIFICATION.	DATE	DRN
01	PRODUCTION RELEASE	31/10/05	TC
02	Neoprene replaces silicon & Nitrile. LEDC-3 Removed	2/12/05	TC



**PANEL DETAILS:**

INFORMATION CONTAINED IN THIS DOCUMENT IS CONFIDENTIAL TO RICHCO INTERNATIONAL Co. Ltd. AND MAY NOT BE DISCLOSED OR REPRODUCED IN WHOLE OR PART WITHOUT THEIR WRITTEN CONSENT.

	PRIMARY DIMENSIONS IN mm SECONDARY DIMS IN [INCHES] GENERAL TOLERANCES ±0.25 UNLESS OTHERWISE STATED 1 DECIMAL PLACE ±0.25 [.010] 2 DECIMAL PLACES ± 0.10 [.004] ANGULAR ±1°	THIRD ANGLE 
--	--	-----------------

MATERIAL: POLYCARBONATE (RMS-215)		COLOUR: CLEAR	
DESCRIPTION: LED LENS HOLDER		PART No: See Table	
DRG No: 05-012	NPR No: 2004-024	Mass:(g) N/A	SHEET SIZE A4
DRN TC	DATE 18/08/05	CHKD OW	DATE 31/10/05
SCALE NTS		SHEET No. 2 OF 2	