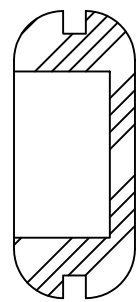
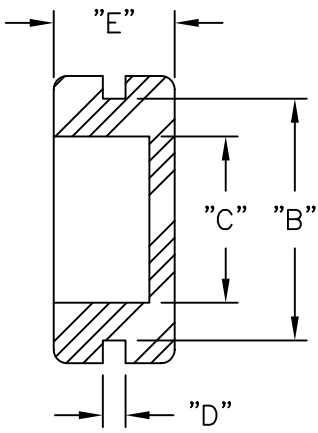
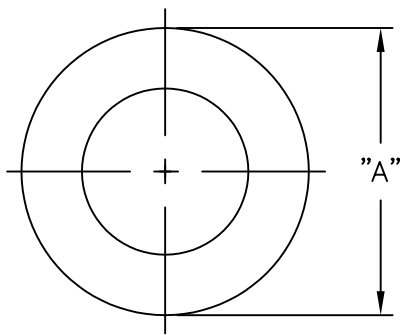


PART NO.	"A"	PANEL HOLE SIZE "B"	"C"	"D"	"E"
DGB-2.5	.37 (9.5)	.25 (6.4)	.16 (4.0)	.03 (0.8)	.14 (3.6)
DGB-4	.50 (12.7)	.39 (9.9)	.25 (6.4)	.06 (1.5)	.26 (6.7)
DGB-5	.62 (15.7)	.49 (12.5)	.37 (9.5)		.25 (6.4)
DGB-6	.69 (17.5)	.43 (11.0)	.31 (8.0)		.31 (8.0)
DGB-7	.75 (19.0)	.63 (16.0)	.43 (11.0)		
DGB-10	1.00 (25.5)	.87 (22.0)	.72 (18.3)		
DGB-11	1.00 (25.5)	.75 (19.0)	.63 (16.0)		.28 (7.0)
DGB-13	1.18 (30.0)	1.00 (25.5)	.81 (20.5)		.31 (8.0)



DGB-6 ONLY

NOTES:

1. MATERIAL: PVC FLEXIBLE, (RMS-25).
2. COLOR: BLACK.

F	SEE ECN #802 FOR CHANGES	SM 06.15.04	TITLE: DIAPHRAGM GROMMET, BLIND				DWG IN IN (MM)	
E	UPDATED PRINT	SM 01.03.02	FILE # DGB				FINAL	
D	CHANGED TOLERANCES	SM 11.05.01	TOLERANCES UNLESS NOTED .XX=±.020 .XXX=±.015 FRAC=±1/64 ANG=±1°	MAT'L: SEE NOTES	DWN: P.B.	APP:	PART # SEE TABLE	PRINT TYPE CA
C	ADDED RMS-25 TO MAT'L NOTE AND CHANGED FILE NO.	SM 09.04.01	RE: RICHCO, INC.	DT: 03-06-95	DT:	RICHCO INC.		
B	CONVERTED TO ACAD	PB 03.06.95				PO BOX 804238, CHICAGO, 60680 (773) 539-4060		
A	SEE ECN NO. 84	JP 05.22.91						
REV	DESCRIPTION	ENGR DATE						