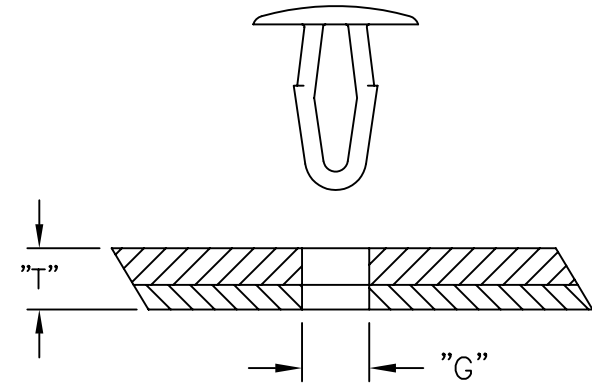
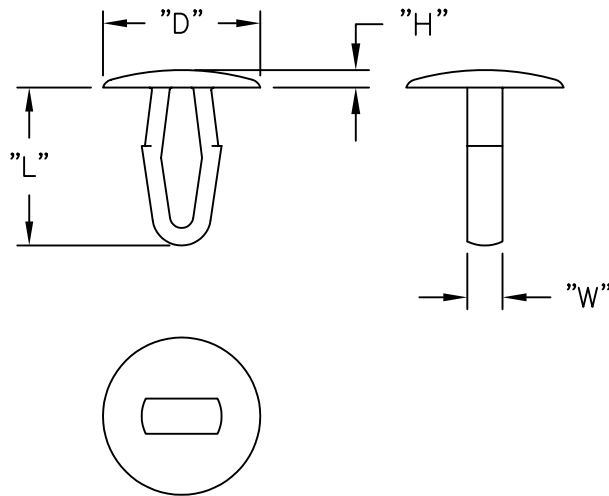


ACETAL (RMS-14) COLOR: WHITE PART NO.	FLAME RETARDANT, NYLON UL94-V0 (RMS-19) COLOR: NATURAL PART NO.	HOLE DIA. "G" ±.002 (±0.05)	"T" TOTAL THICKNESS RANGE	"D" ±.010 (±0.25)	"H" ±.010 (±0.25)	"L" REF.	"W" REF.
DF-137-010	---	.126 (3.2)	.039-.177 (1.0-4.5)	.315 (8.0)	.059 (1.5)	.512 (13.0)	.106 (2.7)
DF-137-020	DFVO-137-020	.153 (3.9)	.039-.197 (1.0-5.0)	.354 (9.0)	.063 (1.6)	.551 (14.0)	.116 (2.9)
DF-137-030	DFVO-137-030	.185 (4.7)	.039-.216 (1.0-5.5)	.394 (10.0)	.067 (1.7)	.590 (15.0)	.134 (3.4)
DF-137-031	DFVO-137-031			.433 (11.0)	.114 (2.9)		
DF-137-040	DFVO-137-040	.252 (6.4)	.059-.256 (1.5-6.5)	.472 (12.0)	.079 (2.0)	.669 (17.0)	.153 (3.9)
DF-137-050	---	.307 (7.8)	.059-.275 (1.5-7.0)	.551 (14.0)	.087 (2.2)	.748 (19.0)	.166 (4.2)
DF-137-060	---	.216 (5.5)	.236-.354 (6.0-9.0)	.472 (12.0)	.079 (2.0)	.709 (18.0)	.150 (3.8)



H	SEE ECN #592 FOR CHANGES	SM 03.18.03
G	SEE ECN #482 FOR CHANGES	SM 10.07.02
F	ADDED DFVO COLUMN, CHANGED FILE NO.	SM 03.01.02
E	DIM D .433(11) FOR -031 WAS .394(10)	J.L 03.09.00
D	TOTAL THICKNESS AND HOLE DIA CHANGED	J.L 11.17.98
C	CONVERTED TO ACAD	PB 03.08.94
B	DIM. "W" ADDED	RS 08.02.93
A	TOL. ADDED TO TABLE	RS 02.26.93
REV	DESCRIPTION	ENGR DATE

TITLE:

DRIVE FASTENER



FILE #	DF	DWN:	J.L.	APP:	
MAT'L:	SEE NOTES	DT:	11.17.98	DT:	
RE:	RICHCO, INC.	RICHCO INC.		PART #	DF-SERIES
		PO BOX 804238, CHICAGO, 60680		PRINT TYPE	CA
		(773) 539-4060			

TOLERANCES UNLESS NOTED
.XX=±.010
.XXX=±.005
FRAC=±1/64
ANG=±1°

FILE #	DF	DWN:	J.L.	APP:	
MAT'L:	SEE NOTES	DT:	11.17.98	DT:	
RE:	RICHCO, INC.	RICHCO INC.		PART #	DF-SERIES
		PO BOX 804238, CHICAGO, 60680		PRINT TYPE	CA
		(773) 539-4060			

DWN:	J.L.	APP:	
DT:	11.17.98	DT:	
RE:	RICHCO, INC.	RICHCO INC.	
		PO BOX 804238, CHICAGO, 60680	
		(773) 539-4060	

DWG IN IN(MM)	FINAL
PART #	DF-SERIES
PRINT TYPE	CA