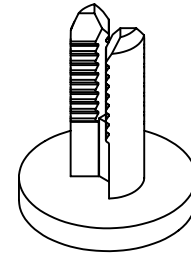
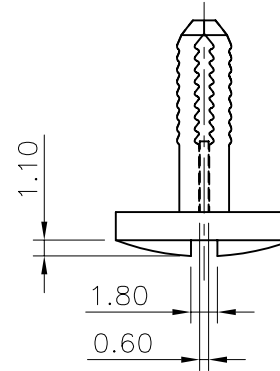
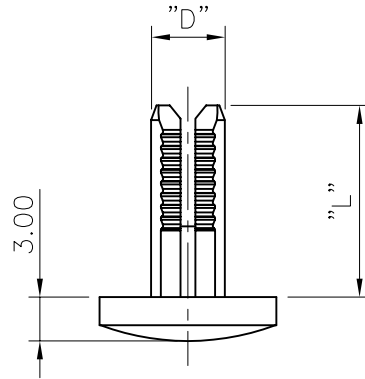
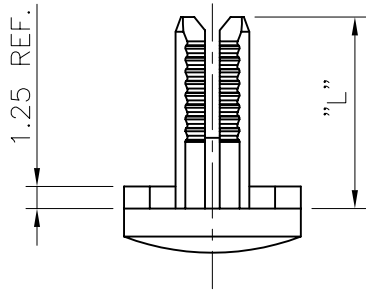
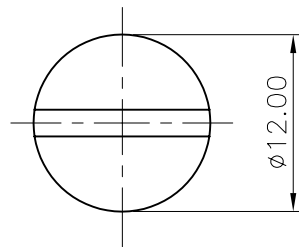


ISSUE No	REVISION	DATE	CHKD
A	NEW DWG	090600	RMB
B	SCN2000-060	300600	RMB
C	SCN2001-040	170401	KD



\* SEE NOTE 3.



NOTES:

1. STANDARD PACK QUANTITY: 1000 PAIRS
2. ALL DIMENSIONS IN mm
3. PART BRS-5-5-XXXXX HAS A DIFFERENT HEAD STYLE

*BRS-5-5-XXXXX	3.0	5.0	5.0	5.5 - 5.8
BRS-5-7.5-XXXXX	5.3 - 7.5	5.0	5.0	5.5 - 5.8
BRS-5-9-XXXXX	9.0 - 13.0	5.0	9.0	5.5 - 5.8
BRS-5-13-XXXXX	13.0 - 20.0	5.0	13.0	5.5 - 5.8
BRS-5-18-XXXXX	18.0 - 28.0	5.0	18.0	5.5 - 5.8
BRS-5-20-XXXXX	20.0 - 34.0	5.0	20.0	5.5 - 5.8
BRS-7-13-XXXXX	13.0 - 20.0	7.0	13.0	7.5 - 7.8
PART REF.	PANEL THK.	DIM "D"	DIM "L"	HOLE DIA.

INFORMATION CONTAINED IN THIS DOCUMENT IS CONFIDENTIAL TO RICHCO INTERNATIONAL COMPANY AND MAY NOT BE DISCLOSED OR REPRODUCED IN WHOLE OR PART WITHOUT THEIR WRITTEN CONSENT

PART DESIGNED IN METRIC / IMPERIAL

TOLERANCES -UNLESS OTHERWISE STATED

1 PLACE	±
2 PLACE	± 0.25

ANGLES ± --°

DRN	RMB	MATERIAL:	SEE CHART	
CHKD	PG	TITLE	BARBED RIVET (SLOTTED)	
APPD	PTG	DESCRIPTION	BRS-D-L-XXXXX	SIZE
SCALE	NTS	DRG No	385-0011	A4
		SHEET No	1 of 1	DATE
				090600

BRS-D-L-WHITE	NYLON 6/6. COLOUR - WHITE
BRS-D-L-BLACK	NYLON 6/6. COLOUR - BLACK
PART REF.	MATERIAL

