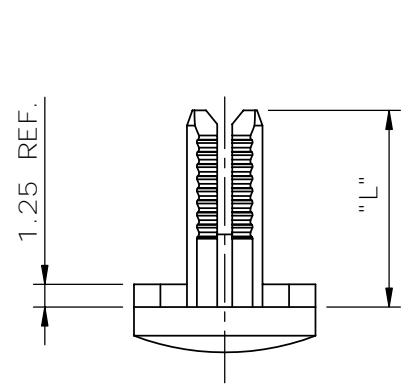
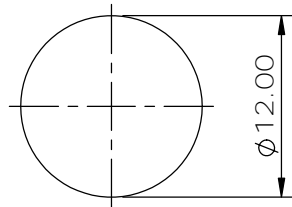
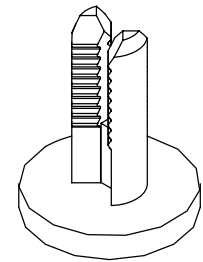
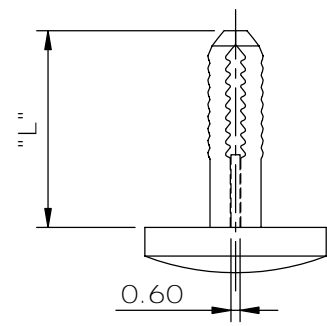
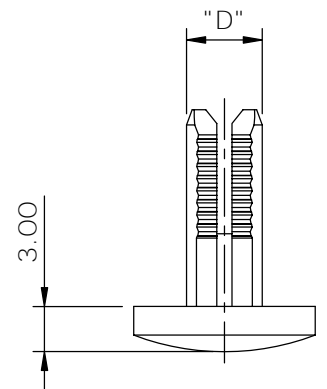


A B C D E F G

ISSUE No	REVISION	DATE	CHKD
A	NEW DWG	090600	RMB
B	SCN2000- 060	300600	RMB
C	SCN2001- 040	170401	KD



* SEE NOTE 3.



NOTES:

- STANDARD PACK QUANTITY: 1000 PAIRS
- ALL DIMENSIONS IN mm
- PART BR- 5- 5- XXXXX HAS A DIFFERENT HEAD STYLE

*BR- 5- 5- XXXXX	3.0	5.0	5.0	5.5 - 5.8
BR- 5- 7.5- XXXXX	5.3 - 7.5	5.0	5.0	5.5 - 5.8
BR- 5- 9- XXXXX	9.0 - 13.0	5.0	9.0	5.5 - 5.8
BR- 5- 13- XXXXX	13.0 - 20.0	5.0	13.0	5.5 - 5.8
BR- 5- 18- XXXXX	18.0 - 28.0	5.0	18.0	5.5 - 5.8
BR- 5- 20- XXXXX	20.0 - 34.0	5.0	20.0	5.5 - 5.8
BR- 7- 13- XXXXX	13.0 - 20.0	7.0	13.0	7.5 - 7.8
PART REF.	PANEL THK.	DIM"D"	DIM"L"	HOLE DIA.

INFORMATION CONTAINED IN THIS DOCUMENT IS CONFIDENTIAL TO RICHCO INTERNATIONAL COMPANY AND MAY NOT BE DISCLOSED OR REPRODUCED IN WHOLE OR PART WITHOUT THEIR WRITTEN CONSENT

DRN
RMB

MATERIAL: SEE CHART

PART DESIGNED IN METRIC / IMPERIAL

CHKD
PG

TITLE
BARBED RIVET

TOLERANCES - UNLESS OTHERWISE STATED

APPD
PTG

DESCRIPTION
BR- D- L- XXXXX

1 PLACE	±
2 PLACE	± 0.25

SCALE
NTS

SIZE
Richco
A4

ANGLES ± - - °

DRG No
385- 0012

SHEET No
1 of 1

DATE
090600

BR- D- L- WHITE	NYLON 6/6. COLOUR - WHITE
BR- D- L- BLACK	NYLON 6/6. COLOUR - BLACK
PART REF.	MATERIAL

A B C D E F G