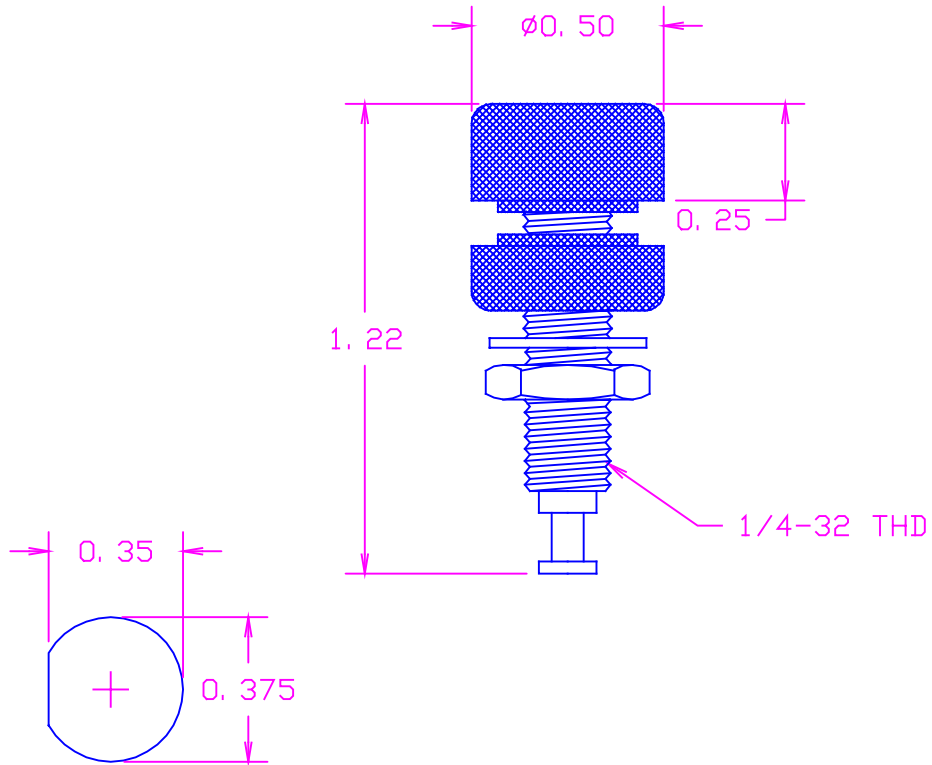


DATE	SYM	REVISION	RECORD	AUTH.	DR.	CK.
5/19/97	-	ISSUED			NT	MM



MATERIAL: STUD- BRASS PER ASTM B16,
 ALLOY C 36000, 1/2 HARD
 INSULATION- POLYCARBOBATE(10-BLACK, 12-RED)
 FINISH: STUD- GOLD PER MIL-G-45204

ACTUAL SIZE

SUPPLIED WITH HEX. NUT AND WASHER



TOLERANCES (EXCEPT AS NOTED)	CONCORD ELECTRONICS CORPORATION		
DECIMAL ± .010	P/N	SCALE	30 GREAT JONES ST. NEW YORK N. Y. 10012
FRACTIONAL ± 1/64	TITLE BANANA PANEL JACK		
ANGULAR ± 5°	DATE 5-19-97	DRAWING NUMBER 25-9231-1-03XX	