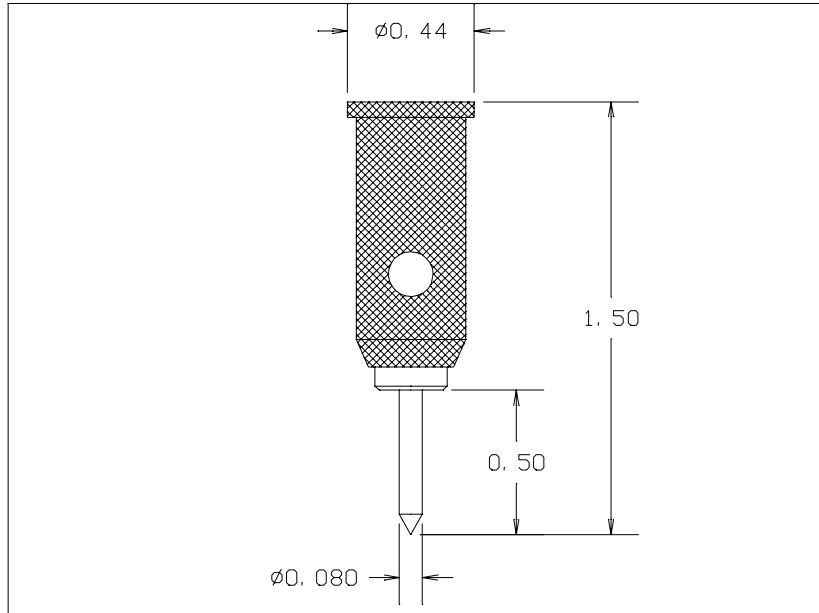
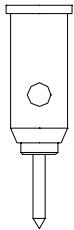


DATE	SYM	REVISION RECORD	AUTH.	DR.	CK.
7/21/99	-	ISSUED		NT	JW



MATERIAL: PLUG BODY- BRASS PER ASTM B16,
 ALLOY C 36000, 1/2 HARD
 HANDLE- ABS (10-BLACK, 12-RED)
 FINISH: PLUG BODY- .0001"MIN. NICKEL PER QQ-N-290

ACTUAL SIZE



TOLERANCES	CONCORD ELECTRONICS CORPORATION		
DECIMAL ± .010	P/N	SCALE	30 GREAT JONES ST. NEW YORK N. Y. 10012
FRACTIONAL ± 1/64	TITLE .080 PLUG-BANANA ADAPTER		
+ 5° -	DATE 7-21-98	DRAWING NUMBER 25-2128-1-02XX	