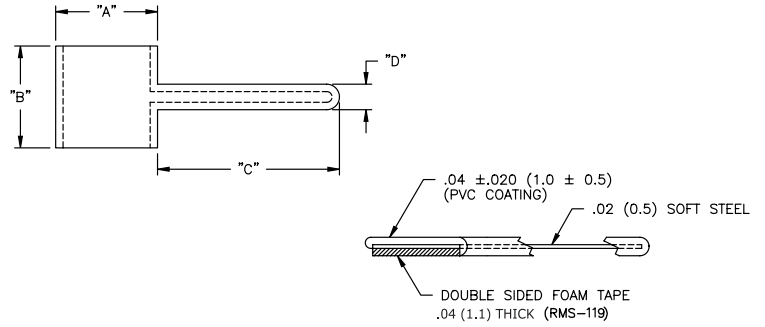
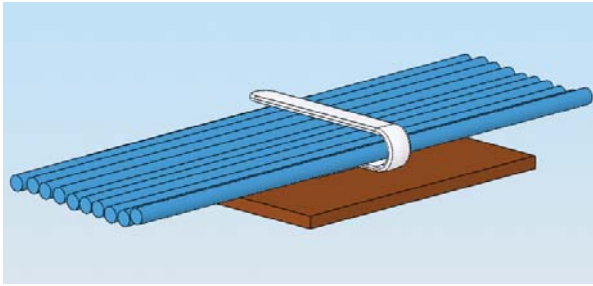


## PCC

### Steel Clamp with Vinyl Coating, Adhesive Base



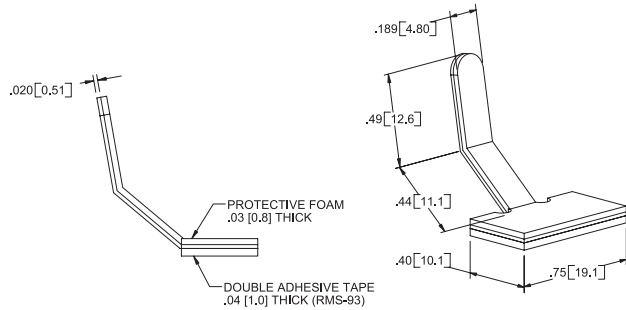
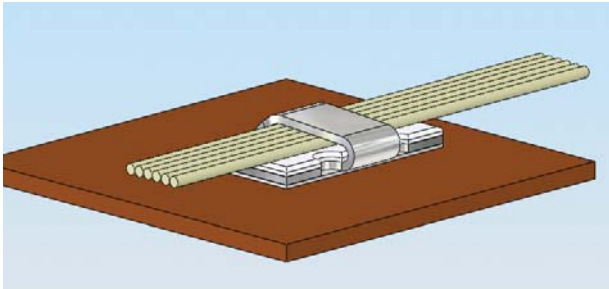
#### Features

- PVC coating protects and insulates wires and components
- Flexible arm holds flat, round or oddly shaped components

| Material: PVC Coating, RMS-118, on Soft Steel • Color: White |                            |                 |             |           |
|--|----------------------------|-----------------|-------------|-----------|
| Part No.   | Standard Pack: 200 per bag |                 |             |           |
|  | "A" Ref.                   | "B" ±.020 (0.5) | "C" Ref.    | "D" Ref.  |
| PCC-5  | .31 (7.9)                  | .31 (7.9)       | .59 (15.0)  | .08 (2.0) |
| PCC-9  | .55 (14.0)                 | .55 (14.0)      | .98 (24.9)  | .14 (3.6) |
| PCC-12   | .75 (19.1)                 | .75 (19.1)      | 1.58 (40.1) | .16 (4.1) |

## PFC-25M

### Plastic Coated Aluminum Clamp, Foam Coated, Adhesive Base



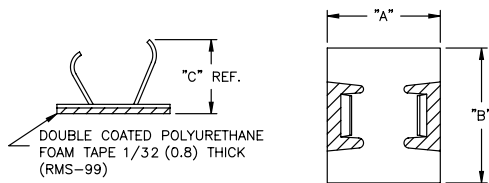
#### Features

- Foam on the inside of clamp protects cables and fibers

| Material: Aluminum, Gray coated, RMS-194 • Color: Gray |  |
|--|--|
| Standard Pack: 1000 per bag                            |  |

## ASK

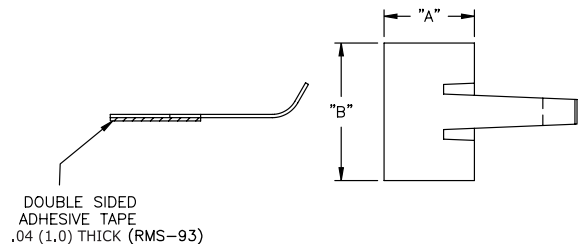
### Aluminum Clamp on Adhesive Base



| Material: Aluminum; Bright Finish • Color: Silver |                            |            |             |                 |
|---|----------------------------|------------|-------------|-----------------|
| Part No.  | Standard Pack: 250 per box |            |             |                 |
|   | "A"                        | "B"        | "C"         | Max Bundle Dia. |
| ASK-3   | .42 (10.7)                 | .62 (15.7) | 3/8 (9.5)   | 15/64 (6.0)     |
| ASK-6   | .62 (15.7)                 | .74 (18.8) | 9/16 (14.3) | 3/8 (9.5)       |

## RAK

### Aluminum Clamp on Adhesive Base



| Material: Aluminum; Bright Finish<br>Color: Silver |                            |            |                 |
|--|----------------------------|------------|-----------------|
| Part No.   | Standard Pack: 250 per box |            |                 |
|  | "A"                        | "B"        | Max Bundle Dia. |
| RAK-1  | .44 (11.2)                 | .67 (17.0) | .23 (5.8)       |
| RAK-2  | .64 (16.3)                 | .76 (19.3) | .38 (9.7)       |