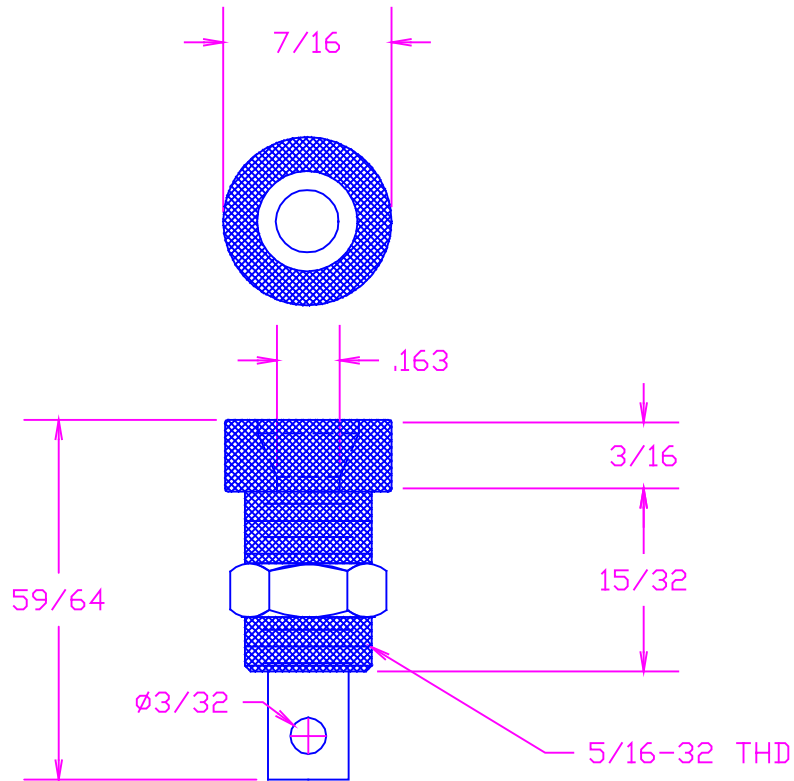


| DATE    | SYM | REVISION RECORD                     | AUTH. | DR. | CK. |
|---------|-----|-------------------------------------|-------|-----|-----|
| 1/22/98 | -   | ISSUED                              |       | NT  | MM  |
| 5/9/00  | A   | OVERALL LENGTH 59/64 WAS 15/16      | IK    | NT  | IK  |
| 11/6/00 | A1  | CONTACT MATERIAL-RED BRASS          |       | NT  | DG  |
| 6/20/01 | A2  | INSULATION- NYLON WAS POLYCARBONATE | IK    | NT  |     |



COLOR CODE  
FOR INSUL.

- 10-BLACK
- 11-BROWN
- 12-RED
- 13-ORANGE
- 14-YELLOW
- 15-GREEN
- 16-BLUE
- 17-VIOLET
- 18-GRAY
- 19-WHITE

MATERIAL: CONTACT - RED BRASS, 85%  
COPPER ALLOY #230  
INSULATION- NYLON 6/6  
NUT- BRASS  
FINISH: CONTACT- BRIGHT TIN  
NUT- NICKEL

|                                 |                                 |                                |   |
|---------------------------------|---------------------------------|--------------------------------|---|
| TOLERANCES<br>(EXCEPT AS NOTED) | CONCORD ELECTRONICS CORPORATION |                                |   |
| DECIMAL<br>± .010               | P/N                             | SCALE                          | 30 GREAT JONES ST.<br>NEW YORK N.Y. 10012 |
| FRACTIONAL<br>±<br>-            | TITLE BANANA PANEL JACK         |                                |   |
| ANGULAR<br>±<br>-               | DATE                            | DRAWING NUMBER 09-9125-1-044XX |   |