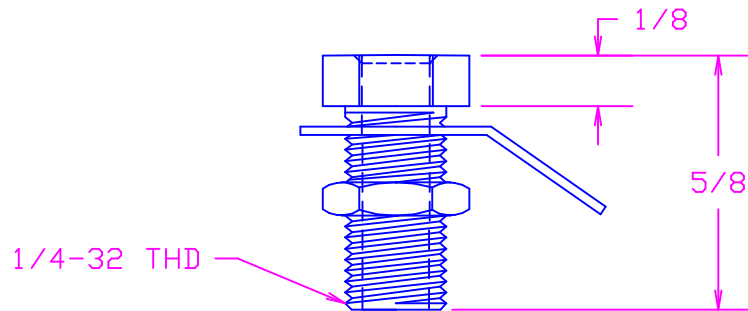
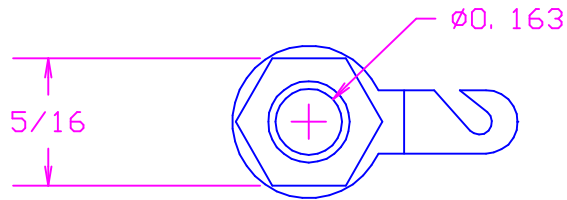


DATE	SYM	REVISION	RECORD	AUTH.	DR.	CK.
					NT	



MATERIAL: BODY- BRASS

LUG- BRASS

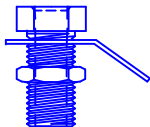
NUT- BRASS

FINISH: BODY- NICKEL

LUG- ELECTRO-TIN

NUT- NICKEL

ACTUAL SIZE



TOLERANCES (EXCEPT AS NOTED)	CONCORD ELECTRONICS CORPORATION		
DECIMAL ± .010	P/N	SCALE	30 GREAT JONES ST. NEW YORK N. Y. 10012
FRACTIONAL ± 1/64	TITLE BANANA JACK		
ANGULAR ±	DATE 6-24-96	DRAWING NUMBER 01-2542-1-02	