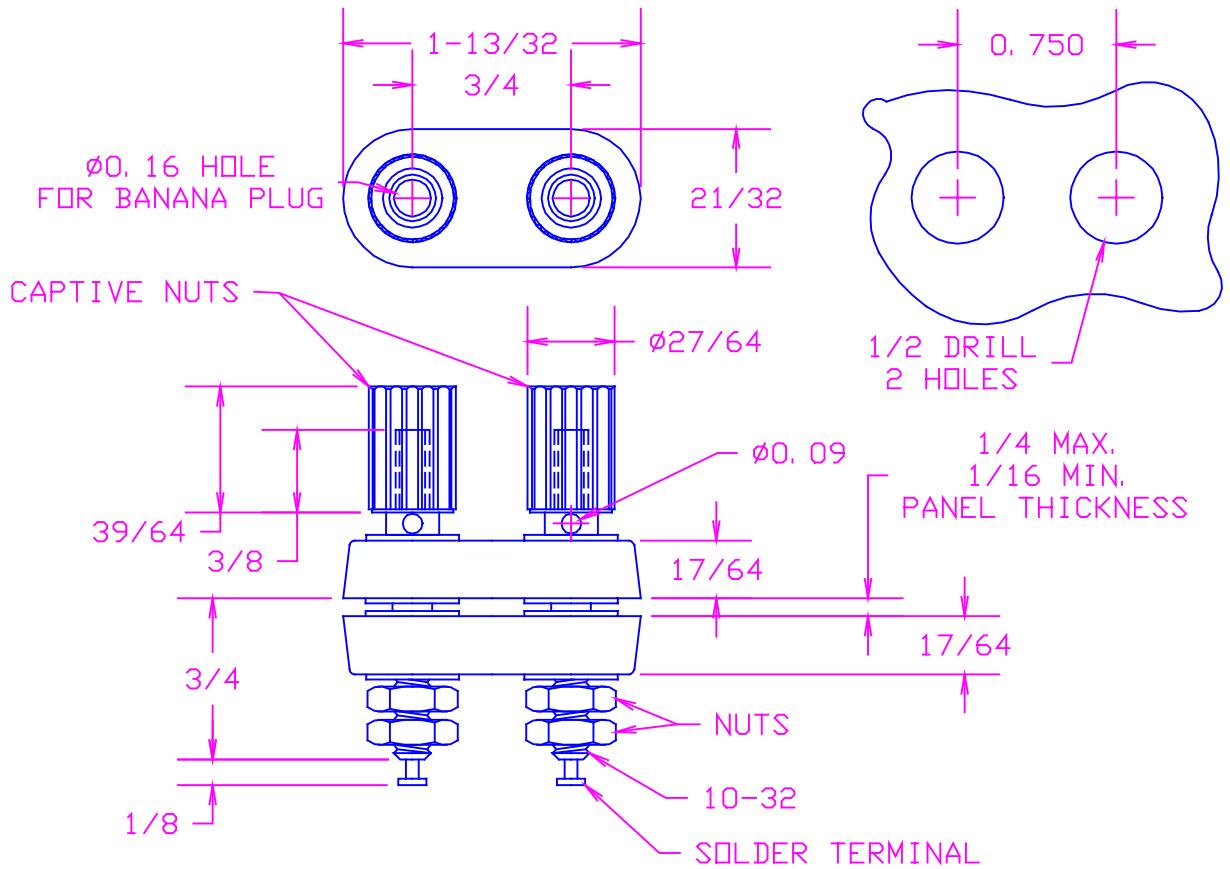


DATE	SYM	REVISION	RECORD	AUTH.	DR.	CK.
5/20/98	-	ISSUED			NT	MM



MATERIAL: STUD- BRASS , NICKEL PLATED  
 CAP- BRASS, NICKEL PLATED  
 PLATES- MOLDED LEXAN (BLACK)  
 WASHER - BRASS, NICKEL PLATED  
 NUTS- BRASS. NICKEL PLATED

TOLERANCES	CONCORD ELECTRONICS CORPORATION		
DECIMAL .XXX ± .010 .XX ± .01	P/N	SCALE	30 GREAT JONES ST. NEW YORK N. Y. 10012
FRACTIONAL ± 1/64	TITLE BINDING POST		
ANGULAR ± 5°	DATE 5-20-98	DRAWING NUMBER 01-1590-1-0210	